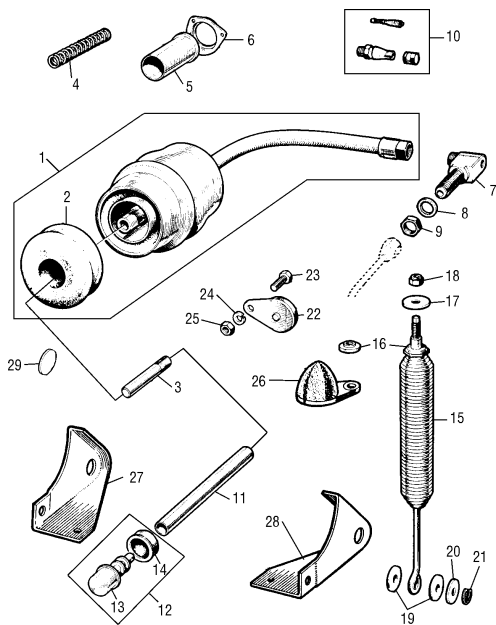


REAR HYDROLASTIC SUSPENSION



REAR SUSPENSION - HYDROLASTIC

NO.	PART NO.	DESCRIPTION	QTY	REMARKS
1	21A2008	Displacer unit	2	CWE
2	21A1496	Dust cover	2	
3	21A1704	Dowel	2	NLA
4	4G7809	Compression spring	2	NLA
5	21A1515	Sleeve	2	
6	21A1757	Sleeve retainer	2	
7	21A1519	Elbow for pipe to hose	2	
8	LWZ410	Locking washer	2	
9	17H8236	Nut	2	
10	13H1705	Valve assembly	2	
11	21A1805	Strut	2	
12	GSV1118	Suspension knuckle joint complete	2	
13	21A425	Knuckle nylon cup	2	
14	21A423	Knuckle gater	2	
15	21A1806	Helper spring	2	
16	12A1358	Helper spring bush was 21A1492	4	
17	53K3446	Special washer	2	NLA
18	GHF222	Lock nut	2	
19	21A1493	Felt washer	4	
20	PWZ306	Plain washer	2	
21	13K2193	Retainer clip	2	
22	21A1517	Rebound buffer	2	
23	SH605051	Bolt	2	
24	GHF332	Spring washer	2	
25	GHF201	Nut	2	
26	21A1520	Bump stop buffer	2	
27	14A6615	Radius arm shroud R/H	1	
28	14A6616	Radius arm shroud L/H	1	
29	14A7091	Rubber plug for grease hole, on 14A6615/6	2	