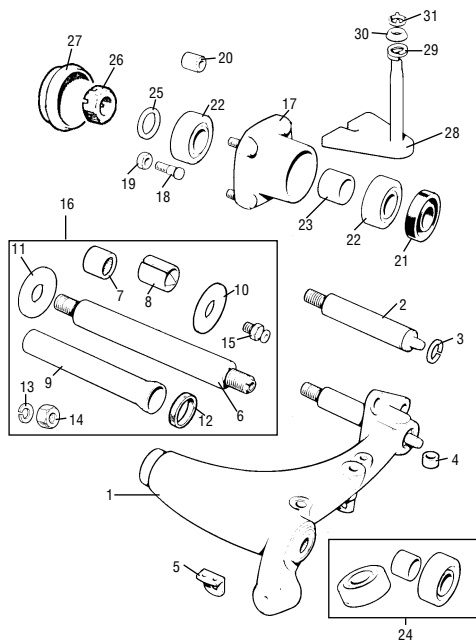


REAR SWING ARMS - HYDROLASTIC SUSPENSION



REAR RADIUS ARMS HYDROLASTIC SUSPENSION

NO.	PART NO.	DESCRIPTION	QTY	REMARKS
1	21A1485	Hydroelastic radius arm R/H	1	CWE
1	21A1489	Hydroelastic radius arm L/H	1	NLA
2	21A1496	Stub axle R/H	1	CWE
2	21A1490	Stub axle L/H	1	NLA
3	2A7352	Stub axle circlip	2	
4	LBS507	Bush for pivot arm	2	CWE
5	21A1375	Bracket on radius arm for hose	2	NLA
6	ACA9099	Radius arm pin	2	
7	ATJ4098	Roller bearing inner, was 13H442	2	
8	2A7325	Bronze bush outer	2	
9	21A396	Metal grease sleeve, replaced by plastic sleeve	2	
10	2A7324	Outer thrust washer	2	
11	ACA9302	Inner thrust washer	2	
12	2A7327	Sealing rubber ring	4	
13	LW2208	Spring washer	4	
14	FN2508	Nut	4	
15	LHN400	Grease nipple	2	
16	GSV1125	Radius arm repair kit, was 8G7134	2	
17	21A2023	Hub with studs	1	
17	21A1277	Hub with long studs, 1275GT 'S'	1	
18	21A2064	Wheel stud shaft length 1.375" 35mm	1	Thread length 0.875"
18	21A2064L	Wheel stud shaft length 2.000" 50.80mm	1	Thread length 1.125"
18	ATA7085	Wheel stud shaft length 1.687" 42.65mm	1	Thread length 1.000"
18	21A1278	'S' Wheel stud shaft length 2.375" 60.30mm	1	Thread length 0.750"
18	ENJ0-1039	Wheel stud shaft length 2.375" 60.30mm	1	Thread length 1.125"
18	ERA1268	Wheel stud shaft length 2.437" 62mm	1	Thread length 1.000"
19	86G322	Wheel nuts, round radius chamfer angle	8	
20	CN1	Chrome wheel nut	16	Alternative to 88G322
20	CM4	Chrome wheel nut, wide base	16	Alternative to 88G322
20	AH48785	Chrome wheel nut, 60° chamfer dome - 1275GT Roslyle	16	Weller steel, use CN2
20	CN2	Chrome wheel nut, 60° chamfer angle	16	Weller steel and Roslyle
20	CN5	Chrome wheel nut, wide base	16	Alternative to CN2
21	GHS134	Metal backed 'S' rear hub oil seal	2	Use GHS102
21	GHS102	Rear hub oil seal	2	
22	GH8116	Bearing without built in spacer	4	NLA use GHK1352
22	GH8212	Bearing with built in spacer	4	Part of GHK1352
23	2A7354	Spacer when GH8116 fitted	2	
24	GHK1088	Bearing kit with built in spacer and seals	2	
24	GH8147K	Timken tapered roller bearing set with seals	2	S, and Mini 1984-on
25	BT1672	Hub washer, was 21A1892	2	
26	NL610041	Hub nut R/H	1	
26	FN2410	Hub nut L/H	1	Left hand thread-
27	ATB4098	Grease retaining cap	2	
28	21A1507	Hand brake quadrant	2	
29	2K2545	Spring washer	2	
30	21A1512	Thrust washer	2	
31	21A1513	Spire clip	2	
* Standard fitment, shorter for GDB105, brake drum, longer for GDB106 brake drum with 1" built in spacer All wheel nuts shown on drive flange and bearing page.				