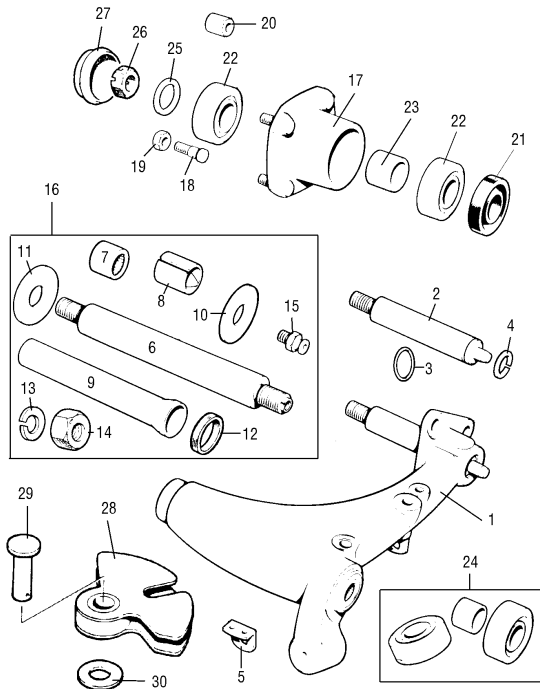


REAR SWING ARMS - RUBBER CONE SUSPENSION



REAR RADIUS ARMS, CONE SUSPENSION

NO.	PART NO.	DESCRIPTION	QTY	REMARKS
1	21A392	Swing arm R/H	1	
1	21A392/R	Swing arm, R/H, rebuilt	1	
1	21A393/C	Swing arm, R/H, complete with brake assembly	1	
1	21A393	Swing arm, L/H	1	
1	21A393/R	Swing arm, L/H, rebuilt	1	
1	21A393/C	Swing arm, L/H, complete with brake assembly	1	
2	2A7351	Radius arm stub axle R/H	1	
2	2A7364	Radius arm stub axle L/H	1	
4	2A7352	Stub axle circlip	2	
5	21A397	Bracket on radius arm for hose	2	
6	ACA9099	Pin	2	
7	ATJ4098	Roller bearing inner, was 13H442	2	
8	2A7325	Bronze bush outer	2	
9	21A396	Metal grease sleeve, being replaced by plastic sleeve	2	
10	2A7324	Outer thrust washer	2	
11	ACA9302	Inner thrust washer	2	
12	2A7327	Sealing rubber ring	4	
13	LWZ208	Spring washer	4	
14	FNZ508	Nut	4	
15	UHN400	Grease nipple	2	
16	GSV1125	Radius arm repair kit	2	
17	21A2023	Hub with studs	2	
17	21A1277	Hub with long studs, 'S' and 1275GT plus all 1984 on	2	
18	21A2064	Wheel stud, shaft length 1.375" 35mm	8	Thread length 0.875"
18	21A2064L	Wheel stud, shaft length 2.000" 50.80mm	8	Thread length 1.125"
18	AT47085	Wheel stud, shaft length 1.6875" 42.65mm	8	Thread length 1.000"
18	21A1278	Wheel stud, shaft length 2.375" 60.30mm	8	Thread length 750"
18	ENJO-1039	Wheel stud, shaft length 2.375" 60.30mm	8	Thread length 1.125"
18	EHA1268	Wheel stud, shaft length 2.437" 62mm	8	Thread length 1.000"
19	88G322	Wheel nuts, round radius chamfer angle	16	
19	113967	Wheel nuts, 60° chamfer angle	16	Steel wheel 1985 on
20	CN1	Chrome wheel nut	16	Alternative to 88G322
20	CN4	Chrome wheel nut, wide base	16	Alternative to 88G322
20	AH48785	Chrome wheel nut, 60° chamfer dome - 1275GT Rostyle	16	Weller steel, use CN2
20	CN2	Chrome wheel nut, 60° chamfer angle	16	Weller steel and Rostyle
20	CN6	Chrome wheel nut, wide base	16	Alternative to CN2
21	GHS134	Metal backed 'S' oil seal	2	Use GHS102
21	GHS102	Hub oil seal	2	
22	GHB116	Bearing without built in spacer	4	NLA, use GHK1088
22	GHB212	Bearing with built in spacer	4	Part of GHK1088
23	2A7354	Spacer when GHB116 fitted (Not Timken)	2	
24	GHK1088	Ball bearing kit with built in spacer and seals	2	
24	GHK1141	Timken tapered roller bearing set with seals	2	
25	BT4672	Hub washer	2	S, and Mini 1984-on
26	NL610041	Hub nut R/H	1	
26	FNZ410	Hub nut L/H	1	Left hand thread
27	ATB4098	Grease retaining cap	2	
28	21A2454	Hand brake quadrant	2	
29	CLZ549	Clevis pin, was BH605281 bolt	2	
30	AWZ105	Washer	2	