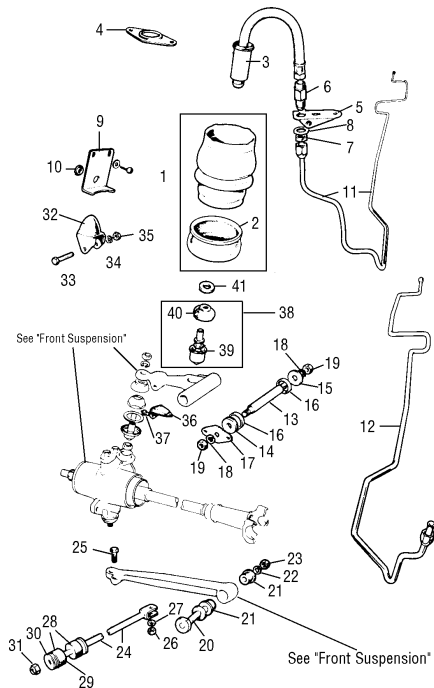


FRONT HYDROLASTIC DISPLACER SUSPENSION



FRONT HYDROLASTIC DISPLACER SUSPENSION (KNOWN AS WET SUSPENSION)

NO.	PART NO.	DESCRIPTION	QTY	REMARKS
1	21A2008	Displacer unit (hose part of displacer only)	2	NLA
2	21A1496	Dust excluder	2	
3	21A1515	Protection sleeve for hose	2	
4	21A1487	Protection sleeve retainer	2	
5	21A1522	Adaptor plate bracket	1	NLA
6	21A1524	Adaptor	2	
7	17H8236	Nut	2	
8	LW2410	Washer	2	
9	21A1687	Bracket to hold displacer to subframe	2	NLA
10	14A7031	Plug for bracket	2	
11	21A1575	Steel hydrostatic pipe, front to rear R/H	1	
12	21A1577	Steel hydrostatic pipe, front to rear L/H	1	
13	FSP3	Plastic hydrostatic pipe, fits either side	2	Alternative to steel
14	2M4325	Upper arm support	2	
15	2M4326	Thrust collar	2	✓ Available in kit
16	2A7324	Thrust washer	2	⇔ MSK1
17	2A7327	Rubber sealing ring	4	⇔ per side
18	2M4327	Retaining plate	2	⇔
19	GHF335	Spring washer was LW2308	4	⇔
20	FN2508	Nut	4	
21	2A4362	Lower arm support shaft was 21A1889	2	
22	21A1882	Lower arm bushes with metal insert	4	
23	WB2	Lower arm bush set, polyurethane	1	All 'S' plus 1966 on
24	2A4294	Lower arm shouldered bush, no insert	4	Tapered hole in arm
25	WB1	Lower arm bush set, polyurethane	1	Pre 1966 models
26	GHF333	Spring washer was LW2206	2	Straight hole in arm
27	FN2506	Nut	2	
28	21A450	Tie rod	2	✓ Available
29	53K1031	Tie rod bolt	2	⇔ as kit
30	FN2505	Nut	2	⇔ 8G4249
31	GHF332	Washer	2	⇔ per side
32	51S1155	Tie bar bush	4	⇔
33	ACA9759	Cup washer	2	
34	PW2207	Flat washer	2	
35	GHF223	Nut	2	
36	21A1598	Bump stop	2	CWE
37	HB2420	Bolt	2	
38	LW2204	Spring washer	2	
39	FN2104	Nut	2	
40	2M4267	Rebound buffer	2	
41	13H42776	Screw	2	
42	21A1163	Knuckle joint	2	Aftermarket
43	GSV1118	Knuckle joint	2	
44	21A423	Nylon cup	2	✓ Part of GSV1118
45	2M425	Dust cover	2	
46	21A1845	Packing washer to raise suspension	A/R	