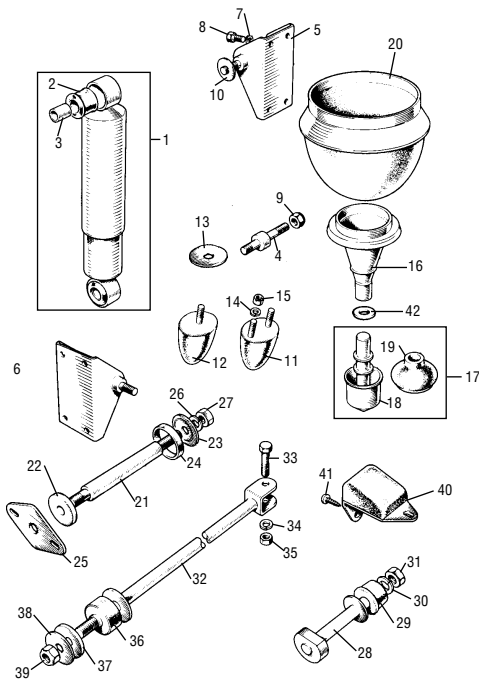


FRONT RUBBER CONE SPRING SUSPENSION



FRONT RUBBER CONE SPRING SUSPENSION (KNOWN AS DRY SUSPENSION)

NO.	PART NO.	DESCRIPTION	QTY	REMARKS
1	GSA388	Genuine Unipart	2	
1	442001	KYB standard replacement	2	
2	21A1230	Shock absorber bush, was 21A503	2	
3	21A504	Sleeve for shock absorber bush	4	
4	C-ALJ3361	Lower shock absorber anchor pin, strengthened	2	
4	2A4337	Lower shock pin	2	
5	21A471	R/H shock absorber upper bracket	1) C-ALJ3359 pair For lowered use
6	21A474	L/H shock absorber upper bracket	1	
7	GHF331	Spring washer was LWZ204	8	
8	GHF117	Bolt, bracket to inner wing	8	
8	GHF221	Nylon nut for C-ALJ3361	8	
9	AJ07162	Washer to retain shock absorber bush/ferule	8	
11	2A4332	Bump stop, early two-bolt	2	
12	FAM2764	Single bolt bump stop mounted subframe	2	1976 on
13	FAM2767	Packing washer for FAM2764	2	
14	GHF331	Spring washer	2/4	
15	GHF200	Nut for bump stop	2/4	
16	21A530MS	Suspension cone strut (trumpet)	2	
17	GSV1118	Suspension knuckle	2	Genuine Aftermarket
17	21A1163	Suspension knuckle	2	
17	GSV1188	Suspension knuckle 1992-on	2	
18	21A423	Nylon cup	2	Part of GSV1128
19	21A425	Dust cover	2	
20	FAM3968	Suspension rubber cone spring	2	
21	2A4325	Upper arm support shaft	2) Available as kit MSK1 per side
22	2A4326	Thrust collar	2	
23	2A7324	Thrust washer	2	
24	2A7327	Rubber sealing ring	4	
25	2A4327	Retaining plate	2	
26	GHF335	Spring washer was LWZ308	4	
27	FNZ506	Nut	4	
28	21A1889	Lower arm support shaft	2	
29	21A1882	Lower arm bushes with metal insert	4	Tapered hole in arm
29	WB2	Lower arm bush, set of four, polyurethane	1	Tapered hole in arm
29	2A4294	Lower arm shouldered bush, pre 1965	4	Straight hole in arm
29	WB1	Lower arm bush, set of four, polyurethane	1	Straight hole in arm
30	GHF333	Spring washer	2	
31	FNZ506	GHF223 nut for support shaft was FNZ506	2	
32	21A450	Tie rod	2	
33	21A1091	Tie rod, pair, heavy duty adjustable	1	Not shown
33	53K1031	Tie rod bolt	2	
34	GHF332	Washer	2	
35	FNZ505	Nut	2	
36	31G1155	Tie rod bush	4	
36	C-STR628	Tie rod bush, set of four, slightly harder	1	
36	WB3	Tie rod bush, set of four, polyurethane	1	
37	ACA9759	Cup washer	2	
38	PWZ207	Plain washer	2	
39	GHF223	Nut	2	
40	2A4267	Rebound buffer	2	
41	13H2776	Scrow	2	
42	21A1845	Packing washer to raise suspension	A/R	