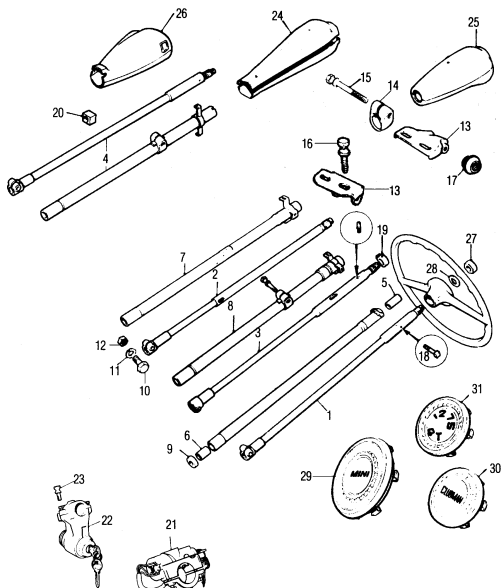


## STEERING COLUMNS, LOCKS AND COWLINGS



## STEERING COLUMNS, LOCKS AND COWLINGS

NO.	PART NO.	DESCRIPTION	QTY	REMARKS
1	21A1871	Inner column MK1 has recess for horn wires, NLA	1	Use 21A2069 and machine
1	21A2069	Inner column MK2	1	No steering lock
2	21A2437	Inner column when steering lock, NLA	1	Use FAM5285
3	FAM5285	Inner column	1	Steering lock
3	FAM5285MS	Inner column, non genuine	1	Steering lock
4	NAM8527	Inner column and outer column complete	1	1985 on
5	FAM2406	Steering column top bush	1	Was 31G120
5	NAM8553	Steering column top bush	1	1985 on
6	GSV1127	Steering column lower left bush	1	Was 21A998
6	NAM8563	Steering column lower bush	1	1985 on
7	21A2066	Outer steering column	1	Non steering lock pre 1976
8	21A2436	Outer steering column	1	With steering lock pre 1976
9	21A30	Rack to body seal	1	
10	BH604111	Steering column lower pinch bolt	1	
11	GHF331	Spring washer	1	
12	GHF200	Nut	1	
13	21A2463	Clip to body bracket	1	Steering lock only
14	21A2666	Column to bracket clip	1	Steering lock only
15	51K4006	Column to clamp bolt	1	2.69" long
16	51K4002	Clip to body shear bolt	2	1.45" long
17	21H295	Nut, bracket to column	1	
18	21A2080	Actuator pin for indicators - non steering lock	1	
19	21H208	Plastic actuator clip, use 21A2661	1	1970 on
20	21A2661	Actuator for indicator switch	1	1976 on
21	18G8892	Steering lock (key enters from side), R/H/D	1	To 1976
22	BHM7107	Steering lock (key enters in front of driver)	1	1976 on
23	51K4001	Steering lock shear bolt	2	
24	8G6027	Plastic column cowl MK1	1	Reproduction
25	8G6035	Plastic column cowl MK2/3	1	No steering lock
25	18G8803	Plastic column cowl M2/3, CWE	1	With steering lock
26	BHM7085	Plastic column cowl MK4	1	Twin stalks
26	BHM7261	Plastic column cowl MK4 grey	1	
27	ACH6001	Steering wheel nut	1	
28	53K3480	Shakeproof washer	1	
29	21A2252	Mini motif for steering wheel	1	CWE
30	21A2228	Clubman motif for steering wheel	1	CWE
31	21A2324	1275GT motif for steering wheel	1	NLA