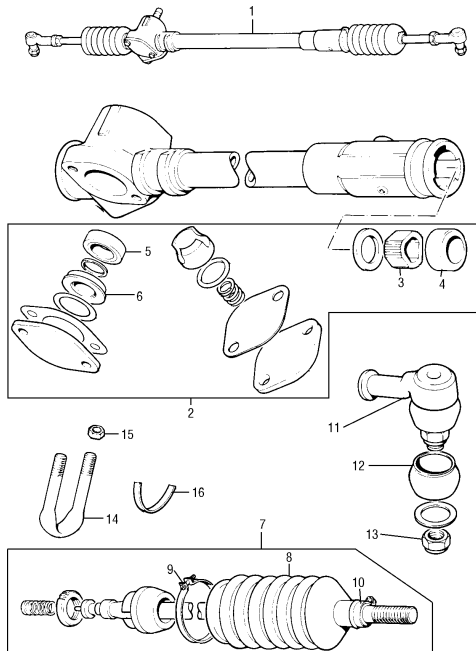


STEERING RACK



STEERING RACK

NO.	PART NO.	DESCRIPTION	QTY	REMARKS
1	AAU6950	GSR307E Steering rack	1	MKI - NLA
1	FAM7307N	Steering Rack, LHD	1	MKII on
1	FAM7307MS	Steering Rack, LHD, OH	1	MKII on
1	GSR155E	Steering Rack LHD, rebuilt	1	MKII on
1	C-FAM7307	Steering Rack, LHD, quick ratio	1	
1	GSR626E	Steering Rack, RHD	1	MKII on
1	C-GSR626	Steering Rack, RHD, quick ratio	1	
2	GSV1052	Repair kit	1	1968 on
3	37H8064	Steering rack nylon bearing	1	
4	37H2079	Metal spacer	1	
5	884999	Oil seal	1	
6	81A662	Bearing, (NLA separately, part of GSV1052)	1	NLA
7	GSV1009	Tie rod repair kit	1	1968 on
8	8HM7113	Gaiter kit rubber	1 pr	
8	GSV1153	Gaiter kit genuine with clips, (rubber)	1 pr	
8	GSV1056	Rover gaiter kit for GSR157/8 (plastic gaiter)	1 pr	
8	17H6298	Gaiter rubber, single without clips	2	
9	CCA35	Inner seal clip	2	Not GSR157/8
10	ACH5854	Outer seal clip	2	
11	GSJ100	Tie rod end	2	
11	GSJ158	Tie rod end, slightly longer	2	
12	7H3762	Gaiter	2	
13	GHF223	Nut, supplied on track rod	2	
14	2N6208	U Bolt, rack to body	2	
15	GHF222	U Bolt nut	4	
16	21A2553	Anti-friction packing piece plastic strip	2	