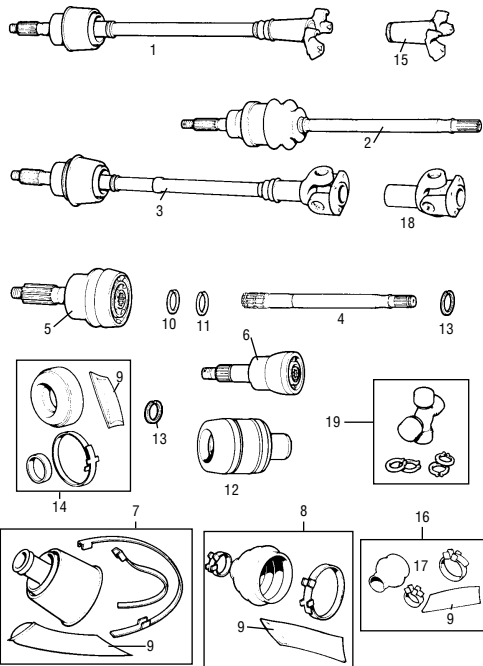


DRIVE SHAFTS



DRIVE SHAFTS

DRIVE SHAFTS WITH CONSTANT VELOCITY JOINT NUT OF 1 1/8 SOCKET SIZE

NO.	PART NO.	DESCRIPTION	QTY	REMARKS
1	21A1760	R/H driveshaft rubber coupling type, CWE	1	997/998 Cooper
1	21A1761	L/H driveshaft,CWE	1	Mini's pre discs
2	ADU6282	R/H driveshaft less inboard pot joint was 22A1961	1	Drum brakes 73 on
2	ADU6281	L/H driveshaft less inboard pot joint was 22A1960	1	Drum brakes 73 on
3	21A1852	R/H driveshaft, automatic	1	CWE
3	21A1854	L/H driveshaft, automatic	1	CWE
5	17H8600	Constant Velocity Joint	2	1 vrs socket

DRIVE SHAFTS WITH LARGE CV JOINT NUT 1 9/16 SOCKET SIZE

NO.	PART NO.	DESCRIPTION	QTY	REMARKS
1	21A2295	R/H driveshaft, rubber coupling type, CWE	1	1275G1/S'
1	21A2296	L/H driveshaft, rubber coupling type, CWE	1	1275G1/S'
2	ADU4402	R/H driveshaft less inboard pot joint, was 22A1963	1	Disc except 'S'
2	ADU4403	L/H driveshaft less inboard pot joint, was 22A1962	1	Disc except 'S'
3	21A1857	R/H driveshaft Hardy Spicer type, CWE	1	Cooper 'S'
3	21A1858	L/H driveshaft Hardy Spicer type, CWE	1	Cooper 'S'
4	27H4775	R/H shaft only, except inboard pot joint type	1	Upgraded material spec.
4	27H4776	L/H shaft only, except inboard pot joint type	1	Upgraded material spec.
4	MS1246	R/H shaft only inboard pot joint only all 1973 on	1	Upgraded material spec.
4	MS1247	L/H shaft only, inboard pot joint only all 1973 on	1	Upgraded material spec.
6	GCV1013	Outer constant velocity joint (Cooper S, late disc brakes)	2	1 9/16 socket size
6	27H7567	Outer C.V. joint, includes boot kit (Cooper S, late disc brakes 2	2	1 9/16 socket size
7	18G9027MS	Boot kit for either type CV joint (Does not foul hubs)	2	Aftermarket
8	GSV1185	Boot kit for either type C.V.	2	Unipart
8	GSV1053	Boot kit for GCV1013 genuine	2	Late type
9	LMSGREASE	Grease for CV joint	A/R	In gaiter kit
10	37H8706	Circclip inner, CV joint was 17H8596	2	Extra or pot joint
11	17H8597	Circclip outer, CV joint thick	2	
12	DAM667	Inboard C.V. (pot) joint	2	
13	37H8705	Oil seal for pot joint - to shaft	2	
14	BHM7012	Gaiter kit for DAM667	2	
14	GSV1073	Heavy duty gaiter for ADU4378 was BHM7205 (genuine)	2	
15	21A1696	Flange for rubber coupling type	2	
16	18G5029	Gaiter kit for 21A1696	2	
17	21A963	Gaiter only	2	As used on Hilo kit
18	27H7880	Hardy Spicer sliding joint	2	Auto and 'S'
19	GLU101	Universal joint repair kit	2	Auto and S