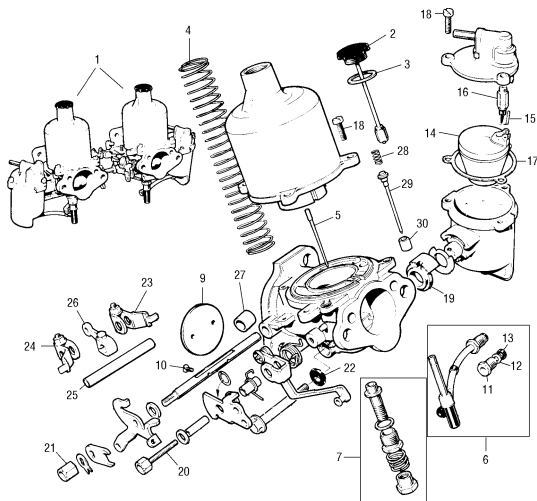


## HS4 TWIN CARBURETOR



## TWIN HS4 CARBURETTOR

NO.	PART NO.	DESCRIPTION	QTY	REMARKS
1	C-AUD640	Pair of carburetors, swinging needle AAU only	1	Special Tuning
2	1106085	Dashpot damper	2	
3	AUC4900	Dashpot damper seal, when required	2	
4	AUC4587	Dashpot spring blue, 2.5oz	2	
4	AUC4387	Dashpot spring red, 4.5oz	2	
5	AUD1006	Fixed needle number 7	2	
6	AUD9102	Jet assembly R/H (0.09") longer pipe	1	Black band
6	AUD9098A	Jet assembly L/H (0.09") longer pipe	1	White band
6	AUD9141A	Jet assembly L/H (0.09") alternative set to AUD9098	1	Green band
6	AUD9142A	Jet assembly R/H (0.09") alternative set to AUD9102	1	Pink band
7	WZX1341	Jet bearing assembly fixed needle	2	
7	WZX1442	Jet bearing assembly swinging needle	2	
8	WZX1177	Spindle	2	
9	WZX1323	Butterfly disc with screws	2	
9	WZX1325	Butterfly disc with air valve plus screws	2	
10	RIC5965	Butterfly screw	4	
11	AUD2129	Nut	2	
12	AUD2183	Washer	2	↕ Supplied with jet assembly
13	AUD2194	Rubber seal	2	↔
14	WZX1300	Float and pin	2	
15	AUC1152	Pin	2	
16	CA90	Needle and seat, float valve	2	
17	AUD9096GR	Needle & Seat, float valve, Grosse Jet	2	Alternative
17	2535	Float gasket	2	
18	JZX1394	Float and dashpot gasket screw	12	
19	AUC1366	Grommet, rubber R/H fixed needle	1	With AUD9102
19	AUC1316	Grommet, rubber L/H fixed needle	1	With AUD9098
19	AUD2676	Grommet, rubber R/H 20° angle	1	When using AUD9142
19	AUD2677	Grommet, rubber L/H 20° angle	1	When using AUD9141
20	AUC1426	Pivot bolt	2	
21	AUC1424	Pivot nut	2	
22	AUC1318	Float chamber bolt seal	2	
23	AUC586	Lever assembly R/H	2	
24	AUC587	Lever assembly L/H	2	
25	AUC1457	Connecting rod 2.200"	2	
26	AUC1501	Lever alternative to AUC1457	1	
27	AUD3080	Spindle repair bush, 3125" ID, rear body to 9.5mm	2	
28	AUD3306	Spring for swinging needle	2	
29	CLD1018	Swinging needle AAU	2	
30	AUD4288	Swinging needle guide	2	
	WZX1859	Twin carburetor service kit, jet needle valve gaskets	1	