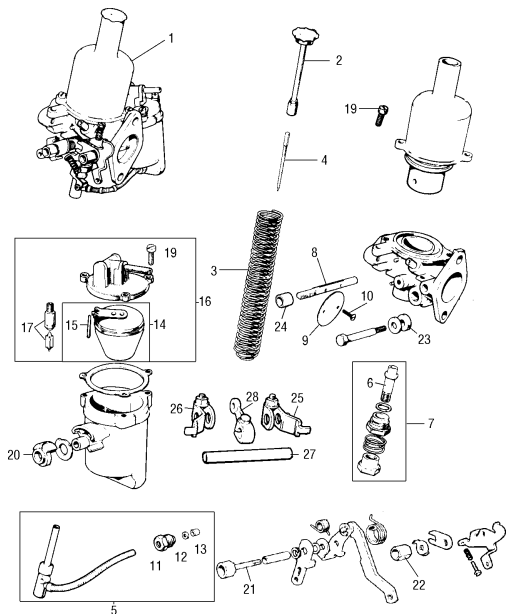


## HS2 TWIN CARBURETOR



## CARBURETTOR HS2 TWIN

NO.	PART NO.	DESCRIPTION	QTY	REMARKS
1	AUD104	Pair of carbs fixed needle	1 pr	NLA
1	AUC365R&L	Pair of HS2 carburetors, 90 swinging needle	1 pr	
2	AUC3103	Dashpot damper	2	
3	AUC4587	Dashpot spring blue, 2.5oz	2	Optional
4	AUC4387	Dashpot spring red, 4.5oz	2	Standard
4	AUD1059	Needle rich (AH2)	2	1275cc
4	AUD1261	Needle standard (M)	2	1275cc
4	AUD1149	Needle weak (EB)	2	1275cc
5	GSU423	Jet assembly, LH (front)	1	Green band
5	GSU431	Jet assembly, RH (rear)	1	Pink band
6	AUC8460	Fixed needle jet bearing, use WZX1341	2	Part of WZX1341
7	WZX1341	Fixed needle jet bearing kit	2	
7	WZX1442	Swinging needle jet bearing kit, was WZX1342	2	
8	AUC8469	Spindle	2	WZX1310 kit
9	WZX1320	Butterfly disc with screws	2	
10	RTC5965	Butterfly screw	4	
11	AUD2129	Nut	2	Supplied with
12	AUD2193	Washer	2	↔ jet assembly
13	AUD2194	Seal	2	
14	GSU200	Float and pin kit	2	
15	AUC1152	Float pin	2	
16	AUE266	Float and lid and needle valve assembly	1	RH (rear)
16	AUE269	Float and lid and needle valve assembly	1	LH (front)
17	CA90	Needle and seat float valve	2	
17	AUD9096GR	Needle and seat float valve, Grosse Jet	2	Alternative
18	AUC8459	Float gasket	2	
19	JZX1394	Float and dashpot screw	6	
20	AUC1366	Body to bowl grommet	1	RH (rear)
20	AUC1316	Body to bowl grommet	1	LH (front)
21	AUC1426	Pivot bolt	2	
22	AUC1424	Pivot nut	2	
23	AUC1318	Rubber washer	2	
24	AUD3079	Spindle repair bush 250° ID ream body to 8mm	4	
25	AUE586	Lever assembly RH	2	
26	AUE587	Lever assembly LH	2	
27	AUC1457	Connecting rod 2.200"	1	
28	AUC1501	Lever, alternative to AUE180	1	
	HS24F	Carb service kit, front	1	
	HS24R	Carb service kit, rear	1	
	CRK101	Twin carb rebuild kit with spindles, bushes, butterflies	1	

Twin carburetor identification of right hand or rear denotes the carburettor farthest away from the water pump end of engine. Therefore, front or left hand is the closest to the water pump or spark plug number one.