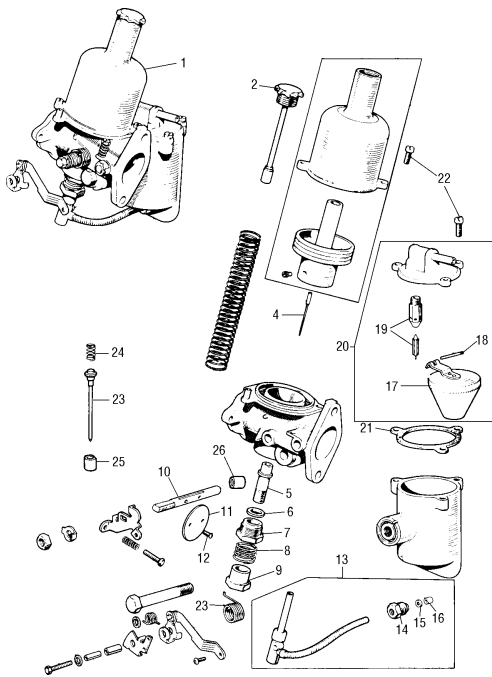


## HS2 SINGLE CARBURETOR



## CARBURETTORS HS2

NO.	PART NO.	DESCRIPTION	QTY	REMARKS
1	HS2	Carburetors, 1.250" bore	1	
2	AUC8103	Dashpot damper	1	
2	AUC8103HB	Original brass type dashpot damper	1	
3	AUC4387	Dashpot spring, blue, 2.5oz	1	
3	AUC4387	Dashpot spring, red, 4.5oz	1	
3	AUC4387	Dashpot spring, blue, 2.5oz	1	
4	AUD1261	Fuel needle rich (M)	1	Optional
4	AUD1149	Fuel needle standard (EB)	1	Standard filament
4	AUD1227	Fixed needle standard (GX)	1	850cc
4	AUD1211	Fixed needle weak (GG)	1	998cc
5	AUC8460	Fixed needle jet use WZX1341 kit, includes 5, 6, 7, 8, 9	1	
5	AUD3414	Swinging needle jet use WZX1442 kit, inc. 5, 6, 7, 8, 9	1	
6	AUC8478	Jet bearing washer	1	
7	AUC2002	Jet locking washer	1	
8	AUC2114	Jet locking spring	1	
9	AUC8461	Jet adjusting screw	1	
10	AUC8469	Spindle	1	
11	WZX1320	Butterfly with screws	1	
12	RTC5965	Butterfly screw, was AUC1358	2	
13	AUD9098A	Jet assembly	1	
14	AUD2129	Nut	1	Part of jet assembly
15	AUD2193	Washer	1	cs
16	AUD2194	Rubber seal	1	
17	WZX1300	Float with pin, was AUD9904	1	
18	AUC1152	Float pin	1	Fixed needle
19	CA50	Needle and seat float valve	1	
19	AUD9096GR	Needle and seat, float valve, Grose jet	1	Alternative
20	AUE266	Lid with float and needle valve	1	
21	AUC8459	Float gasket	1	
22	UZK1394	Float lid screw	3	
23	CUD1019	Swinging needle (AAV)	1	
24	AUD3306	Swinging needle spring	1	
25	AUD4288	Swinging needle guide	1	
26	AUD3079	Spindle repair bushes 250° I/D ream body to 8.00mm	2	
	HS24F	Service kit, float valve, jet tube, gaskets	1	

