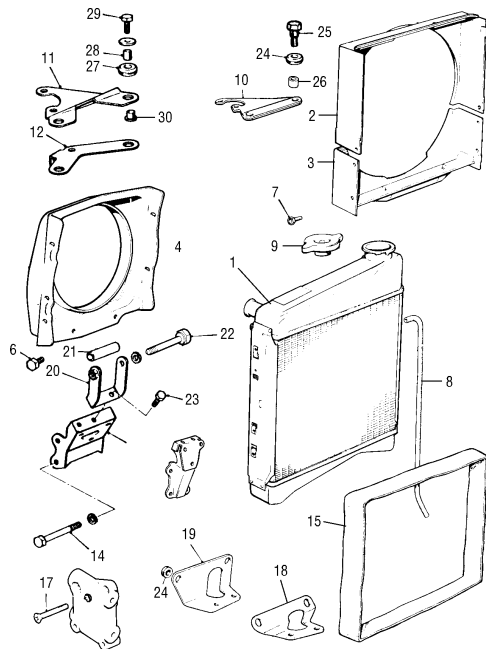


RADIATOR AND FITTINGS



RADIATOR AND FITTINGS

NO.	PART NO.	DESCRIPTION	QTY	REMARKS
1	ARC1106	Radiator (2 rows of cores)	1	Mini 850/1000
1	ARP2000	Radiator (3 rows of cores)	1	Standard
1	C-ARA4444	Radiator (4 rows of cores) for hot countries	1	Better cooling
1	C-ARA4442	Radiator (Special 2 row) for hot climates	1	Best Cooling
1	C-ARA4443	Radiator (Special 2 row) with thermostat switch recess in base	1	12A G03/4 May 1992 on
1	PCC103398	Late radiator with thermostat switch recess in base	1	TBL
1	ERA1159	Radiator (with take off for ERA1160 auxiliary radiator)	1	ERA Turbo
2	ARA2768	Top cowl, NLA	1	
2	ARA2769	Bottom cowl, except Cooper, NLA	1	
3	ARA2770	Bottom cowl	1	
4	ARP1068	One piece cowling 1974-on	1	Cooper, Cooper 'S' only Available used, U/ARP1068
6	SH604031	Radiator to cowl screws	1	1974 on
7	ARA1117	Original PK screw on early radiators, pre 1974	A/R	Nut for ARP2000
8	GRH1001M	Overflow pipe rubber	A/R	1 metre length only
9	GRC101	Radiator cap 7lb pressure	1	Long neck, standard
9	GRC102	Radiator cap 7lb pressure	1	Short neck
9	GRC105	Radiator cap 10lb pressure	1	Cooper
9	GRC110	Radiator cap 15lb pressure	1	All 1976 on
9	GRC111	Radiator cap 13lb pressure	1	All 'S' & Mini 1969-76
10	12A201	Top radiator bracket, CWE	1	850cc/998cc to 1974
10	12G617	Top radiator bracket	1	1275S
10	12G323	Top radiator bracket	1	970/1070cc
10	12G2453	Top radiator bracket, uses 11G227 grommet	1	1275GT
11	CAM4619	Top radiator bracket on one piece cowl	1	850/998cc, 1980 on
11	CAM4620	Top radiator bracket on one piece cowl	1	Clubman 998cc
11	CAM4621	Top radiator bracket on one piece cowl, use 12G2453	1	1275GT
11	CAM4622	Top radiator bracket on one piece cowl	1	Mini 998/Sweden Canada
12	PCU10135	Top radiator bracket, uses 11G227/CAM4414	1	New Coopers, 1300cc
12	ERA1186	Top radiator bracket	1	Turbo
13	12A361	Engine to radiator mounting bracket	1	Coopers and ARP1174 cowl
14	H6Z534	Long bolt for 12A361 bracket to gearbox	2	
15	14A7286	Radiator to body seal	1	Up to 1972
16	12G1318	Adaptor plate	1	
17	12G1319	Screw, for adaptor plate	1	
18	12A293	Split cowl lower radiator bracket, when 12A361 fitted	1	CWE, Coopers
19	22A29	Split cowl lower radiator bracket, when 22A30 fitted	1	CWE, 850/998cc Mini
19	12G2458	Split cowl lower radiator bracket, when 22A30 fitted	1	Clubman 998cc
19	12G3641	Split cowl lower radiator bracket, when 12A361 fitted	1	Clubman 998/1275GT
20	12A2153	Single cowl lower radiator bracket, when 12A361 fitted	1	All 1974 on
21	ARP1073	Spacer for 12A2153 bracket	1	
22	12G4270	Bolt for cowl to bracket	1	
23	SH605051	Screw to bracket	2	
24	11G227	Upper and lower radiator grommet on 2 piece cowl	2/4	Plus top 1990 on
25	11G226	Original shouldered bolt	1	
25	GHF120	Plain bolt to go with 12A1985 when required	2	
26	12A1985	Sleeve only required with GHF120 to replace 11G228	2	
27	CAM4414	Upper radiator bracket grommet with one piece cowl	2	1974 to 1990
28	CAM4415	Sleeve for CAM4415 grommet	2	1974 on
29	GHF117	Bolt when using CAM4415 sleeve	1	1974 on
30	CAM4618	Rubber locating bush	1	1974 to 1990

Mini Mania