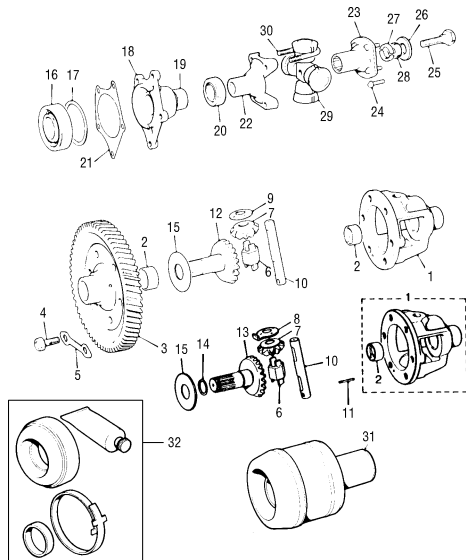


## DIFFERENTIAL ASSEMBLY



## DIFFERENTIAL ASSEMBLY

NO.	PART NO.	DESCRIPTION	QTY	REMARKS
1	BT145	Differential case, using 2A70G2 washer	1	When BT145 used
1	DAM6027	Differential case, using DAM5071 washer	1	When BT145 omitted
2	ATA378	Bush for diff case and crown wheel	2	
3	22A411	62 teeth crown wheel 3.4 ratio (DAM6277 A plus)	1	Use 18 teeth pinion
3	22A401	64 teeth crown wheel 3.76 ratio (DAM4779 A plus)	1	Use 17 teeth pinion
3	DAM6327	59 teeth crown wheel 3.105 ratio	1	Use 19 teeth pinion
3	DAM2806	61 teeth crown wheel 3.2 ratio	1	Use 19 teeth pinion
3	DAM5925	59 teeth crown wheel 2.95 ratio	1	Use 20 teeth pinion
3	TC810004	58 teeth crown wheel 2.76 ratio	1	France
4	ATA7043	Crown wheel bolt	6	
5	ATA7385	Crown wheel locktab	3	
6	BT1454	Thrust block	1	Deleted on DAM6027
7	DAM6924	Pinion was: 2A7015	2	
8	DAM5071	Pinion bronze thrust washer with locating lip	2	For DAM6027
9	2A70G2	Pinion bronze thrust washer	2	For BT145
10	22G2583	Differential cross pin genuine, new shape	1	Use C-BTA166
10	BT1166MS	Differential cross pin, original shape	1	Alternative C-BTA166
11	RPS1418	Roll pin for diff pin to case	1	
12	22A373	Output shaft for 22A374	2	Rubber coupling type
12	22A1151	Output shaft for 22A1152	2	Hardy Spicer type 'S'
13	DAM3114	Output shaft, was DAM6138	2	Pot joint
14	22G2688	Cnclip for DAM3114, on shaft	2	
15	BT1011	Fibre thrust washer	2	
16	AH11856	Differential ball bearing	2	
17	2A3535	Differential bearing shims: 002/0508mm	A/R	
17	2A3534	Differential bearing shims: 003/0762mm	A/R	
17	DAM3108	Differential bearing shims: 006/11524mm	A/R	
17	DAM3109	Differential bearing shims: 010/2.540mm	A/R	
18	CHM85	Output flange cover not automatic	2	Except Hardy Spicer
18	22G420	Output flange cover (22G419 with lug for rod change)	2	Hardy Spicer type
18	22G419	Output flange cover, not Automatic	2	'S' Hardy Spicer type
19	2A3538	Output flange cover bush	2	For CHM85
19	22G421	Output flange cover bush "Hardy Spicer"	2	For 22G419/22G420
20	ADU5738	Output flange cover oil seal	2	
20	AH1082	Output flange cover oil seal "Hardy Spicer"	2	
21	TRK10004B	Output flange cover gasket	2	
22	22A374	Drive flange for output shaft	2	Rubber coupling type
23	22A1152	Drive flange for 22A1151	2	'S' Hardy Spicer type
24	22A1139	Drive flange bolt	8	
25	22A1104	Flange to output shaft bolt	2	
26	22A1201	Plain washer	2	
27	88G493	Drive flange collet	4	
28	22A1566	Sealing ring	2	
29	GCD101	Driveshaft rubber coupling kit including U bolts and nuts	2	
29	QL5000	Driveshaft nylon and needle roller coupling kit	1	Sold by the pair
30	22A132	U bolt	8	
31	DAM667	In board CV joint (pot joint)	2	
32	BHM7012	Boot kit	2	