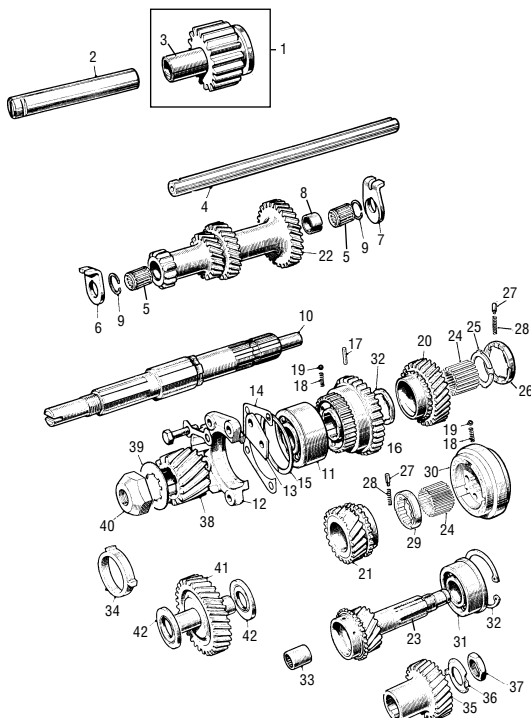


GEARS - B-TYPE 3 SYNCHRO MESH



'B' TYPE 3 SYNCHRO MESH GEARS

NO.	PART NO.	DESCRIPTION	QTY	REMARKS
1	22G202	Reverse gear	1	
2	88G209	Reverse gear shaft	1	
3	2A3475	Reverse gear bush	1	NLA
4	22A1371	Layshaft (Hi-spec alternative C-22A1371)	1	Use C-22A1371
5	88G396	Layshaft needle roller bearings	2	
6	88G324	Laygear thrust washer small	1	
7	88G325	Laygear thrust washer large 123"-124"	1	
7	88G326	Laygear thrust washer large 125"-126"	1	
8	22G277	Laygear bearing distance piece	1	
9	22G278	Laygear bearing circlips	2	
10	22G392	Mainshaft	1	
11	AAU1365	Double ball bearing	1	
12	22A522	Bearing retainer takes DAM2377	1	
13	2A3581	Locating plate	1	
14	2A3714	Locating plate shim .003" throu	A/R	
14	2A3715	Locating plate shim .010" throu	A/R	
15	22G372	Bearing spring clip	1	BL# ADU4992
16	22A1021	1st/2nd gear roller track (32 teeth)	1	
17	22G89	Plunger for 1st/2nd synchro hub	1	
18	22A367	Synchroniser spring	6	3 per hub - NLA
19	BLS107	Synchroniser ball	6	3 per hub
20	22A980	2nd gear (28 teeth)	A B 1	CWE, fitted all
21	22A981	3rd gear was 22G235 (23 teeth)	B 1	CWE, 850cc and 998cc
21	22A983	3rd gear was 22A557 (24 teeth)	A 1	CWE, 'S' only
22	22G231	Laygear 28,24,19,13, teeth	B 1	CWE, 850cc and 998cc
22	22G1100	Laygear was 22G232 (26/23/19/13 teeth)	A 1	1275 'S'
23	22A979	1st motion shaft was 22G235 (19 teeth)	A B 1	CWE, 850cc and 998cc
23	22A982	1st motion shaft was 22G322 (20 teeth)	A 1	Some Cooper and 'S'
24	22G149	2nd/3rd gear needle rollers	A 2	Per gear
25	22G157	Retaining collar for 2nd/3rd gear	4	
26	22G186	Locking washer for 2nd gear	1	
27	22A495	Locking peg for 2nd/3rd gear	A/R	
28	22G154	Locking peg spring for 2nd/3rd gear	A/R	
29	22G196	Locking washer for 3rd gear	1	
30	22G410	3rd/4th synchroniser hub	1	
31	2A3709	1st motion ball bearing	1	
31	CHM172	1st motion needle roller	1	
32	22G2033	Baulk ring	3	
32	2A3711	Clip for 1st motion ball bearing	1	
35	2A3545	1st motion drive gear, use 22G849 and C-ST1239 spacer	1	
36	DAM4000	Lock tab	1	
37	2A3548	1st motion shaft locking nut	1	
38	22A399	Final drive pinion 3.7	1	
38	22A413	Final drive pinion 3.7	1	1275cc, late 998cc
39	DAM6140	Pinion locktab	1	
40	22G48	Mainshaft locking nut	1	
41	2A3493	Idler Gear	1	
42	22A1545	Thrust Washer, Idler gear, 130"-131"	2	See page 72 for alternate sizes

Gears marked A and B are identified as compatible in sets.
Use laygear as identification for gear fitment as some late Coopers had 22G1100 fitted.

www.MiniMania.com e-mail info@MiniMania.com 800-946-2642 tech: 408-942-5595

Mini Mania

4 - 11