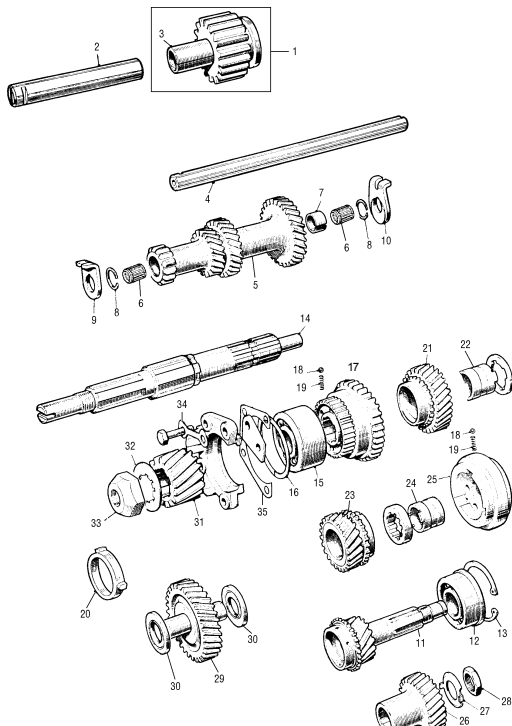


GEARS - A-TYPE



'A' TYPE GEARS

NO.	PART NO.	DESCRIPTION	QTY	REMARKS
1	22A377	Reverse gear	1	CWE
2	88G209	Reverse gear shaft	1	
3	2A3475	Reverse gear bush	1	NLA
4	22A1371	Layshaft	1	
5	22G76	Laygear for 997cc to 9FSA 28575	1	
5	22G197	Laygear for 997cc to 9FSA 28576 on	1	997cc
5	22G204	Laygear but uses B type, 1st & reverse 22A1021/22G202	1	All Cooper and 'S'
5	22A381	Laygear	1	850cc
6	88G396	Layshaft bearings	2	
7	22G277	Spacer sleeve for bearing	1	NLA
8	22G278	Internal circlips for laygear	2	
9	88G324	Laygear small thrust washer	1	
10	88G325	Laygear large thrust washer 123-124	1	CWE
10	88G326	Laygear large thrust washer 125-126	1	CWE
10	88G327	Laygear large thrust washer 127-128	1	NLA
11	22A416	1st motion shaft to 9F/SA 28575	1	997 only
11	22A588	1st motion shaft (19 teeth)	1	850cc
11	22A592	1st motion shaft (20 teeth) for 22G204 laygear	1	Cooper 'S'
12	2A3709	1st motion ball bearing	1	
13	2A3711	Clip for 1st motion ball bearing	1	
14	22G70	3rd motion shaft (mainshaft)	1	CWE
15	2A3712	Mainshaft double ball bearing, very early pre 1962	1	62mm diameter
15	AAU1365	Mainshaft double ball bearing	1	65mm diameter
16	ADU4992	Spring ring for double ball bearing was 22G721	1	
17	22G440	1st/2nd synchronizer gear hub	1	
18	BLS107	Synchronizer spring	3	Per hub
19	22A367	Synchronizer spring	3	Per hub
20	22G2033	Baulk ring	3	
21	22G194	2nd gear (28 teeth)	1	Fits 22G204 laygear
21	22A582	2nd gear (28 teeth)	1	850cc/997cc
22	2A3298	Bush for 2nd gear	1	
23	22A415	3rd gear to 9F/SA 28575	1	997cc
23	22G195	3rd gear (24 teeth) 997/996cc 9F/SA 28576 on	1	All 'S' 22G204 laygear
23	22A583	3rd gear (23 teeth)	1	850cc
24	2A3290	Bush for 3rd gear	1	
25	22G97	3rd/4th synchronizer assembly, was 22G358	1	
25	22A345	1st motion drive gear, use 22G649 with spacer C-STR239	1	
27	DAM4000	Locktab	1	
28	2A3548	Nut for 1st motion shaft	1	
29	22G943	Idler gear, shaft size: 750" (19mm)	1	Was equal shaft length
30	22A1545	Idler gear thrust washer 130-131" (3.30-3.32mm)	A/R	Green coding
30	22A1546	Idler gear thrust washer 132-133" (3.35-3.37mm)	A/R	Black coding
30	22A1547	Idler gear thrust washer 134-135" (3.40-3.42mm)	A/R	White coding
30	22A1548	Idler gear thrust washer 136-137" (3.45-3.47mm)	A/R	Blue coding
30	22A1549	Idler gear thrust washer 138-139" (3.50-3.53mm)	A/R	Red coding
31	22A399	Final drive pinion	1	3.76 ratio
32	DAM6140	Locktab	1	
33	22G48	Mainshaft nut	1	
34	DAM2377	Locktab	2	
35	2A3714	Locating plate shim .003" thou	A/R	
35	2A3715	Locating plate shim .010" thou	A/R	

Many of the gears are no longer available, part number for reference only.