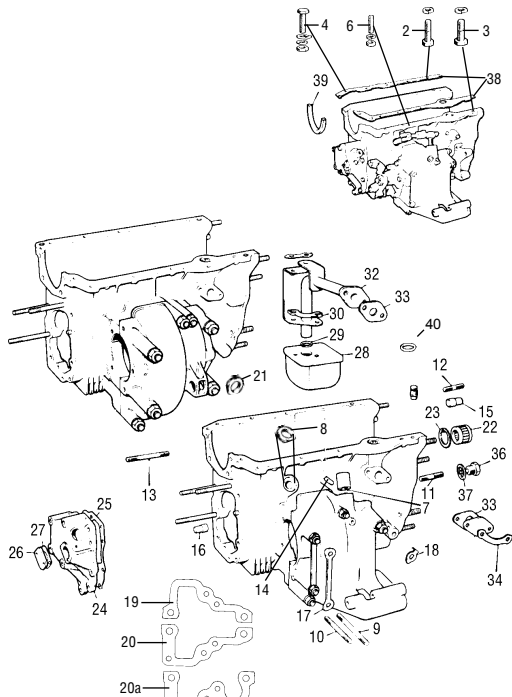


GEARBOX TRANSMISSION CASE PARTS



GEARBOX TRANSMISSION CASE PARTS

NO.	PART NO.	DESCRIPTION	QTY	REMARKS
1	1868085	Gearbox lock tab kit	1	Not shown
2	GHF102	Gearbox case, front block to gearbox bolt	5	1 also on 22H983
3	GHF101	Gearbox case, rear block to gearbox set screw	4	1 also on front
4	BH604140	Bolt for dowel on front	1	
5	ZZ4983	Case to block rear dowel	1	
6	FHS2409	Stud, rear stud for thin flange block	2	
7	FHS2410	Stud, rear stud for thick flange block	2	
8	2A3502	Gear change linkage bush	2	
9	13H577	Gear change oil seal	1	
10	53K266	Stud for diff housing long 4.5", 2 only for rod change	4	NLA Use TAM1617
11	53K1471	Stud for diff housing, short 3.5" x 250" thread	3	NLA Use CHS522
12	2251834	Stud for diff housing, short 3" x 375" thread	2	Rod change only
13	22A152	Long stud for flywheel housing, alternative DAM7759 bolt	6	use DAM7759 bolt
14	53K547	Short stud for flywheel housing	3	use DAM7756 bolt
15	53K1474	Stud for speedo drive housing cover	3	use DAM7761 bolt
16	22A153	Dowel for diff housing	2	
17	22A97	Dowel for flywheel housing	2	
18	22A13	Dowel for speedo drive housing	2	
19	22A74	Diff housing locktab, pre rod (Remote type only)	1	Part of 1868085
20	22A150	Diff housing locktab, rod change	1	Part of 1868085
21	22A251	Diff housing locktab	1	Part of 1868085
22	2A3505	Upper gasket for diff housing	1	
23	2A3506	Lower gasket for diff housing	1	Pre-rod change
24	22G1836	Lower gasket for diff housing	1	Rod change
25	AHU1672	Gearchange oil seal was 13H6862	1	Rod change
26	886302	Idler gear bearing with 1.004 25.5mm O/D	1	3 synchro
27	13H7848	Idler gear bearing with 1.065 27.05mm O/D	1	4 synchro
28	DAM3745	A plus idler gear bearing 1.375 34.92mm O/D	1	750° 19mm I/D
29	AHU1707	A plus idler gear bearing 1.375 34.92mm O/D	1	875° 22.225mm I/D
30	22G1141	Clip for 3 synchro case where 886302 fitted	1	NLA
31	51K3565	Circlip 4 synchro, where 13H7848 fitted	1	
32	886307	Speedo drive housing cover	1	
33	22A541	Gasket for housing	1	New Blf DAM5219
34	2A3626	Speedo drive case plate	1	
35	2A3627	Gasket for speedo drive case plate	1	
36	22A335	Oil strainer	1	
37	22A341	Suction pipe sealing ring	1	
38	22A388	Lock tab	1	Part of 1868085
39	22A1365	Lock tab	1	Part of 1868085
40	22G1150	Oil suction pipe	1	
1	C-4H154	Central oil pickup up	1	Competition use
2	22A542	Pipe to case and flange gasket	2	
3	2K4974	Lock tab	1	NLA
4	TR51317	Oil suction sealing ring - case to block	1	2A3606 alternative
5	DAM7335	Magnetic drain plug	1	
6	AED172	Washer for drain plug	1	
7	GE6502	Gearbox to engine gasket, was AJM502	1	
8	12G2947	Seal (half moon)	1	
9	TR51317	O-Ring, engine to transmission	1	
10	GE6804	Gasket set, all transmissions	1	Not shown

www.MiniMania.com e-mail info@MiniMania.com 800-946-2642 Tech: 408-942-5595