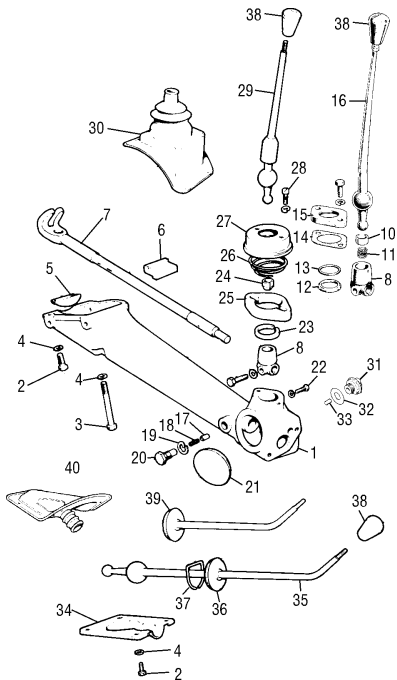
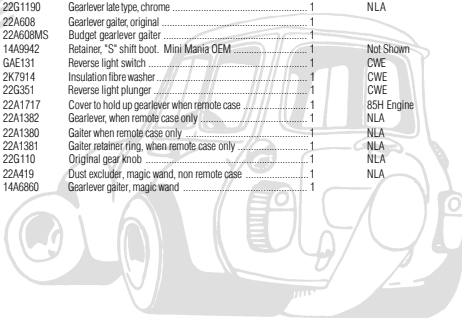


## GEARCHANGE UP TO 1972 - NOT ROD CHANGE

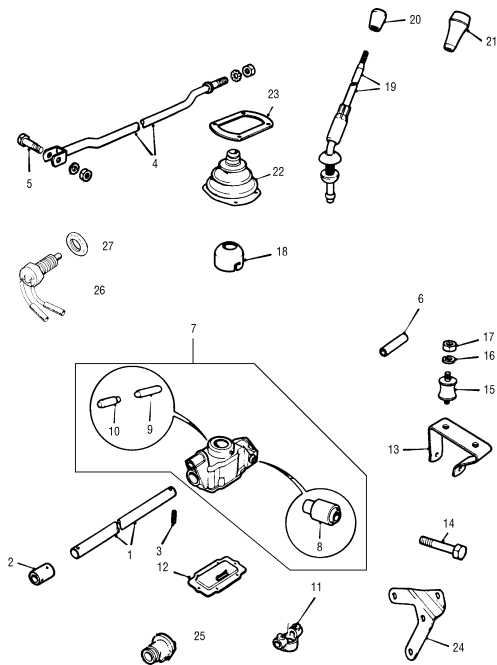


## GEARCHANGE UP TO 1972 NOT ROD CHANGE

NO.	PART NO.	DESCRIPTION	QTY	REMARKS
1	22A250	Remote control housing	1	
2	GHF165	Short remote to case bolt	2	
3	ZCS628	Long remote to case bolt	2	
4	1WZ306	Spring washer	4	
5	22A285	Rubber plug	1	
6	22A1373	Rubber pad for case to remote housing	1	
7	8G713	Gear change shaft	1	
8	22A267	Knuckle for gear change shaft	1	
9	2A3335	Screw for knuckle to shaft	1	
10	22G158	Gear seat for gearlever, early type	1	NLA
11	22G159	Spring for 22G158, early type	1	NLA
12	22A392	Nylon flange retainer	1	CWE
13	22A393	Oil seal	1	NLA
14	22A394	Retainer gasket	1	CWE
15	22A391	Gearlever retainer	1	NLA
16	22A269	Gearlever, early type	1	NLA
17	22A84	Anti rattle plunger	1	NLA
18	AE63123	Anti rattle spring	1	NLA
19	AE63122	Washer	1	NLA
20	22A85	Spring retaining cap	1	NLA
21	22A271	Dust cover large plug	1	
22	2A3602	Locating pin for gearlever	1	CWE
23	22C292	Nylon flange	1	NLA
24	22C389	Gearlever seat	1	Late type
25	88C228	Distance piece	1	NLA
26	22G266	Tension spring	1	NLA
27	22C290	Gearlever retainer	1	NLA
28	22C291	Retainer bolt	2	
29	22G1190	Gearlever late type, chrome	1	NLA
30	22A608	Gearlever gaiter, original	1	
31	22A608MS	Budget gearlever gaiter	1	
32	14A6942	Retainer, 'S' shift boot, Mini Mania OEM	1	Not Shown
33	6AE131	Reverse light switch	1	CWE
34	2K7914	Insulation fibre washer	1	CWE
35	22G351	Reverse light plunger	1	CWE
36	22A1717	Cover to hold up gearlever when remote case	1	85H Engine
37	22A1382	Gearlever, when remote case only	1	NLA
38	22A1380	Gaiter when remote case only	1	NLA
39	22A1381	Gaiter retainer ring, when remote case only	1	NLA
40	22G110	Original gear knob	1	NLA
41	22A419	Dust excluder, magic wand, non remote case	1	NLA
42	14A6860	Gearlever gaiter, magic wand	1	



## ROD CHANGE GEAR SHIFT MECHANISM



## ROD CHANGE GEAR SHIFT MECHANISM

NO.	PART NO.	DESCRIPTION	QTY	REMARKS
1	22G1930	Extension rod to gear lever	1	
1	UKN10023	Extension rod to gear lever	1	1300cc 1991 on
2	42H1116	Coupling for extension rod	1	
3	RFS1418	Roll pin (coupling to rod) and eye extension rod	2	
4	22A1936	Gearbox to gearlever steady rod	1	
4	DAM5067	Gearbox to gearlever steady rod	1	1000cc 1985 on
4	UKN10032	Gearbox to gearlever steady rod	1	1300cc 1985 on
5	BT605161	Steady rod to gearbox bolt	1	
6	42H1199	Rod eye support	1	
7	DAM3671	Gearlever housing complete	1	
8	42H1214	Housing steady bush	1	
9	DAM2670	Long gearlever retainer pin was 22G2276	1	(Gearlever locating pin)
10	22G2277	Short gearlever retainer pin	1	
11	22G2792	Extension rod eye	1	
12	DAM8621	Gearlever housing base plate was 22G2355	1	
12	MSG11	Mini Spares 5 speed gearbox base plate	1	
13	22G2026	Floor to housing bracket	1	
14	BT606281	Bracket to housing bolt	1	
15	22G2205	Bracket to housing mountings	2	
16	GHF332	Washer	1	
17	GHF201	Nut	1	
18	22G1434	Gearlever retainer	1	
19	22A1932	Gearlever assembly	1	
19	22A1932/C	Gearlever assembly, chrome	1	
20	22G2316	Gearlever knob (bakelite type)	NLA	Use DAM4440
20	DAM4440	Gearlever knob	1	
21	DAM6001	Gearlever knob 1986 on	1	
22	CZ4278	Gearlever gaiter	1	
23	FJN10003	Retainer for gaiter, was CZH3002	1	
24	GEX7088	Exhaust bracket	1	
25	MSG12	Mini Spares 5th gear gaiter bias	1	Fits extension rod
26	GAE191	Reverse light switch	1	
27	22A1613	Locknut for switch	1	
	DAM3661	Rod change linkage assembly	1	Not shown
	U119	Rod change linkage assembly with lever	1	Used only

