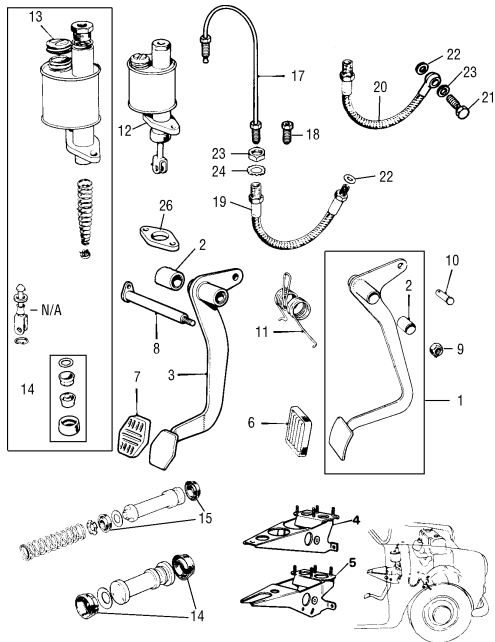


CLUTCH AND PEDAL LINKAGE



CLUTCH AND PEDAL LINKAGE

NO.	PART NO.	DESCRIPTION	QTY	REMARKS
1	2A5866	Pedal assembly R/H/D pre 1976	1	CWE
2	2A3034	Pedal bush for all	2	
3	NAM3116	Pedal assembly R/H/D	1	1976 on
3	NAM3115	Pedal assembly L/H/D	1	1976 on
4	21A2467	Pedal box assembly single line brakes	1	NLA
5	NAM8670	Pedal box assy for tandem master cylinder was FAM4368	1	Tandem brake
6	GPR104	Pedal pad (rubber) to 1976	1	
7	GPR107	Pedal pad (rubber) 1976 to 1990	1	
8	SZU10001	Pedal pad 1990 on	1	
8	2A5880	Shatt for brake and clutch pedal	1	
9	GHF222	Lock nut for 2A5880	1	
10	CL2512	Clevis pin master cylinder to pedal	1	
11	2A5852	Pedal return spring	1	
12	GMC1008	Clutch master cylinder was AAU4969	1	
13	513234	Plastic filler cap	1	
14	8G8424	Repair kit with one flat cap end seal and one ring seal	1	Rubber seals only
15	SSB960	Repair kit with 2 ring type seals	1	Rubber seals only
16	31G279	Sealing washer	1	
17	SPA12	Metal pipe with unions R/H/D	1	12" long
17	SPA32	Metal pipe with unions L/H/D	1	32" long
18	TM606031	Clutch pipe unions	A/R	
19	19K300	Clutch hose for 22A233 slave cylinder	1	
19	C-AU4025	Steel braided hose	1	
20	GVP1009	Clutch hose with Banjo end, fits GSY118	1	1982 on Verto
20	C-AU4025B	Banjo type steel braided hose	1	
21	C5192	Banjo bolt for GVP1009	1	
22	233220	Copper sealing washer	1	
23	3HC50	Washer, banjo bolt to banjo	1	
24	2K8686	Locking nut	1	
25	WE600101	Shakeproof washer	1	

MASTER CYLINDER THAT HAS 2 RING SEALS CAN BE IDENTIFIED BY A SINGLE GROOVE AROUND BODY BELOW FLUID RESERVOIR, AS PER DIAGRAM BELOW.

