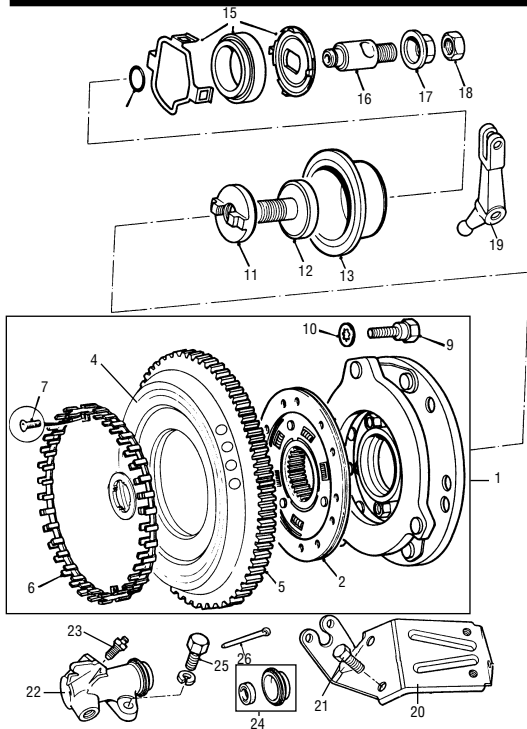
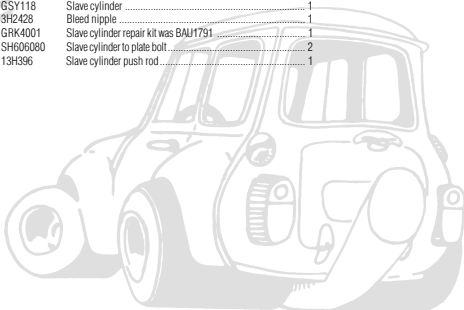


## VERTO CLUTCH AND SLAVE CYLINDER - 1982 ON



## VERTO CLUTCH AND SLAVE CYLINDER 1982 ON

NO.	PART NO.	DESCRIPTION	QTY	REMARKS
1	GCU90107	Verto clutch assembly	1	Inertia starter
1	GCU90115AF	Verto clutch assembly	1	Pre-engaged starter
1	GCU90116AF	Verto clutch assembly	1	Turbo
1	GCU90119AF	Verto clutch assembly	1	1300cc carb type
1	GCU90120AF	Verto clutch assembly with reluctor ring	1	1300cc fuel injection
2	GCP271	Clutch plate 1982 to 1990	1	
2	GCP90821AF	Verto clutch plate	1	Turbo
2	GCP90311AF	Verto clutch plate	1	1000cc
2	GCP90832AF	Verto clutch plate	1	1300cc
3	GCC679	Verto diaphragm only	1	1000cc
4	C-AEG422	Steel lightened flywheel with ring gear	1	Tuning part
5	12G2445	Ring gear, 107 teeth	1	Inertia starter
5	PSF10003	Ring gear, 129 teeth, was DAM7487	1	Pre engaged starter
6	WAM1188	Reluctor ring for electronic management system (TBI)	1	
7	SJ104121M	Screw for reluctor ring	1	
8	DAM2821	Verto clutch seal protector (plastic shield)	1	
9	BAU2319	Diaphragm to pressure bolt	3	
10	BAU2320	Crinkle type washer	3	
11	DAM5923	Locking plate key	1	
12	DAM5922	Flywheel retaining lock bolt	1	
13	AH11564	Thrust sleeve	1	
14	AAU2886	O' ring	1	
15	GR8239	Clutch release bearing complete	1	
16	DAM5353	Clutch release plunger	1	
17	22A427	Stop plunger	1	
18	WT610041	Nut, to lock 22A427	1	
19	DAM5355	Clutch arm, short	1	
20	DAM5992	Mounting plate for slave cylinder	1	
21	GHF165	Bolt for plate to case	2	
22	GSY118	Slave cylinder	1	
23	3H2426	Bleed nipple	1	
24	GRW4001	Slave cylinder repair kit was BAU1791	1	
25	SH606080	Slave cylinder to plate bolt	2	
26	13H396	Slave cylinder push rod	1	



www.MiniaMania.com e-mail info@MiniMania.com 800-946-2642 Tech: 408-942-5595