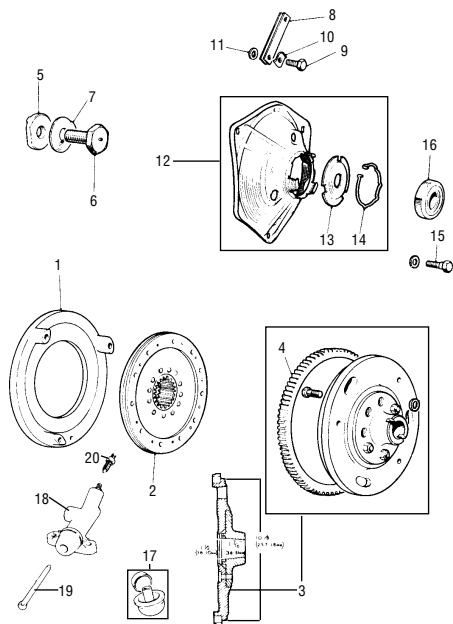


DIAPHRAGM CLUTCH AND SLAVE CYLINDER - 1964 ON



DIAPHRAGM CLUTCH AND SLAVE CYLINDER - 1964 ON

NO.	PART NO.	DESCRIPTION	QTY	REMARKS
1	22A598	Pressure plate	1	Except 'S'
1	22G270	Pressure plate use C-AHT230	1	Cooper 'S'/1300GT
2	GCF204	Clutch plate	1	
3	12G3014	Flywheel with ring gear, now one piece	1	Replaces all
3	C-AEG421	Flywheel with ring gear, lightened steel	1	Suitable for road
4	12G676	Ring gear, 0.500" wide	1	
4	22G2613	Ring gear, thin, automatic and C-AEG619 (0.343" wide)	1	
5	88G508	Key - flywheel to crankshaft	1	
6	22A747	Flywheel bolt	1	
7	22A1155	Locktab	1	Also in kit 18G8086
8	2A3658	Driving strap	6	
9	2A3659	Strap to flywheel screw	3	
10	2A3512	Locktab	3	
11	GHF302	Plain washer	3	
12	GCC102	Clutch diaphragm assembly 850cc, 998cc	1	Use GCC103
12	GCC103	Clutch diaphragm assembly 1275cc	1	
13	AAU7154	Release plate was 22G1152	1	1275cc
13	22G364	Release plate	1	Except 1275cc
14	22A921	Release plate clip	1	
15	2A3657	Pressure plate to diaphragm bolt	3	
16	GHE201	Release bearing was 22A1156	1	
17	80G846	Slave cylinder repair kit	1	
18	22A223	Slave cylinder	1	From 1959 on
19	19H396	Push rod	1	
20	3H2428	Bleed nipple	1	
	18G8086	Flywheel locktab kit	1	Not shown
	07.001	Flywheel puller	1	Not shown

