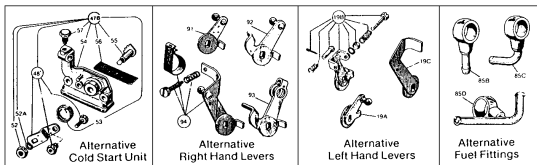
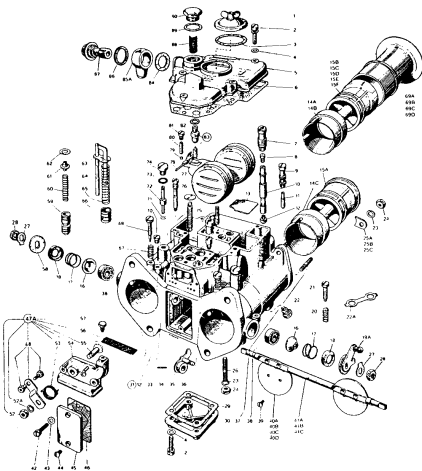


WEBER DCOE PARTS



Dia. No.	Qty Rec'd	Description	Part Number	Dia. No.	Qty Rec'd	Part Description	Number
1	1	Jet Cover	32376.003	418	1	Throttle Shaft 42 DCOE	10005.423
2	5	Cover Screw	64700.001	41C	1	Throttle Shaft 45 DCOE	10005.426
3	1	Gasket	1550.002	42	2	Cold Start Fixing Screw	64700.004
4	5	Washer	55515.034	43	2	Flat Washer	55515.038
5	1	Carb. Top Cover	317324.025	44	2	Flat Fixing Screw	64570.039
6	1	Carb. Cover Gasket	41715.011	45	2	Plate	52135.002
7	2	Emulsion Tube Holder	52580.001	46	1	Gasket	41640.021
8	2	Air Corrector Jet	73401**	47A	1	Cold Start Unit L/H	32506.002
9	1	Idle Jet Holder	52365.006	47B	1	Air Cold Start Unit R/H	32506.004
10	2	Emulsion Tube	61450**	48	1	Lever Assy. L/H Unit	45027.030
11	2	Idle Jet	74800 Series	48	1	Lever Assy. R/H Unit	45027.037
12	2	Main Jet	73401**	52	1	Nut	55525.010
13	1	Plate	52135.003	52A	1	Washer	55525.010
14A	2	Choke Tube 40 DCOE	72303**	53	1	Return Spring UN Unit	47610.006
14B	2	Choke Tube 42 DCOE	72304**	53	1	Return Spring RH Unit	47610.024
14C	2	Choke Tube 45 DCOE	72110**	54	1	Cold Start Unit Body	Not Service
15A	2	Auxiliary Venturi 45 DCOE With Air Horns	69902**	55	1	Shaft	Not Service
15B	2	Auxiliary Venturi 45 DCOE	69904**	56	1	Filter Screen	3,000.016
15C	2	Auxiliary Venturi 42 DCOE With Air Horns	70002	57	1	Fixing Bolt	64605.017
15D	2	Auxiliary Venturi 40 DCOE With Air Horns	70003**	58	1	Shaft Washer	55555.010
15E	2	Auxiliary Venturi 40 DCOE Without Air Horns	70001**	59	2	Start Valve	64330.003
15F	2	Auxiliary Venturi Extended Type 40 DCOE With Air Horns	70005**	60	2	Starter Valve Spring	47600.005
16	2	Dust Cover	41570.001	61	2	Spring Retainer	12775.004
17	2	Spring	47600.063	62	1	Spring Washer	109,000.010
18	2	Retaining Cover	58000.007	63	1	Pump Spring Retainer	52140.004
19A	1	Throttle Lever	43054.044	64	1	Pump Rod	10410 Series
19B	1	Throttle Lever For Use With 92 & 93	45048.005	65	1	Pump Spring	47600 Series
190	1	Throttle Lever For Use With 94	45048.007	66	2	Pump Plunger	58902.003
20	1	Spring	47600.004	67	2	Idle Screwspring	46,600.007
21	1	Throttle Screw	64500.002	68	2	Idle Mixture Screw	64750.001
22	4	Locking Screw	64840.003	69	2	Air Horn 45 DCOE 9	52840.001
22A	2	Locking Plate	52155.003	69B	2	Air Horn 45 DCOE 13/15/16	52840.002
23	1	Spring Washer	55525.002	69C	2	Air Horn 40 DCOE 2	52840.004
24	1	Nut	34705.004	69D	2	Air Horn 40 DCOE 18	52840.024
25A	4	Locking Plate 45 DCOE	52150.004	70	5	Progression Hole Plug	61015.002
25B	4	Locking Plate 42 DCOE	52150.005	71	2	Pump Gasket	41570.001
25C	4	Locking Plate 40 DCOE	52150.012	72	2	Pump Jet	76901**
26	1	Stud	64855.104	73	2	Pump Cover Seal	41565.009
27	2	Lock Washer	55520.004	74	1	Pump Gasket	61015.006
28	2	Shaft Nut	34710.003	75	1	Inlet Valve With Exhaust	79701**
29	1	Gasket	41640.001	76	2	Starter Jet	75605**
30	1	Bottom Bowl Cover	32374.008	77	1	Floater	41030.005
31	1	Carburetor Body	Not Serviced	78	1	Floater Fulcrum Pin	32000.004
32	1	Spring Anchor Plate	52210.006	79	2	Pump Valve Ball	58900.001
33	1	Throttle Return Sprng	47605**	80	2	Shutting Ball	52730.001
34	1	Pin	58445.001	81	2	Retaining Screw	61015.006
35	1	Pump Control Lever	45082.005	82	1	Needle Valve Gasket	32000.100
36	1	Stud	64855.007	83	1	Needle/Valve	79503**
37	1	Stud	64855.101	84	1	Fuel Union Gasket	41530.031
38	2	Throttle Shaft Bearing	32620.001	85A	1	Fuel Union (Blank)	10354.001
39	4	Throttle Plate Screw	64570.006	85B	1	Fuel Union Straight 4" Dia	10356.001
40A	2	Throttle Plate 40 DCOE	64005.029	85C	1	Fuel Union Straight 5/16" Dia	10356.003
40B	2	Throttle Plate 42 DCOE	64005.027	85D	1	Fuel Union 90° 5/16	10356.035
40C	2	Throttle Plate 45 DCOE	64005.029	86	1	Fuel Union (Dual) 5/16	10356.034
40D	2	Throttle Plate 45 DCOE 15/16	64005.069	86	1	Outer Fuel Union Gasket	41530.024
41A	1	Throttle Shaft 40 DCOE	10005.401	87	1	Fuel Union Bolt	12715.008
				88	1	Fuel Filter	37022.01C
				89	1	Gasket	41530.024
				90	1	Pin	61002.010
				91	1	R/H Lever	45048.005
				92	1	R/H Lever Use With 45048.005	45041.009
				93	1	R/H Lever Use With 45048.005	45048.007
				94	1	R/H Lever Use With 45034.084	45041.025