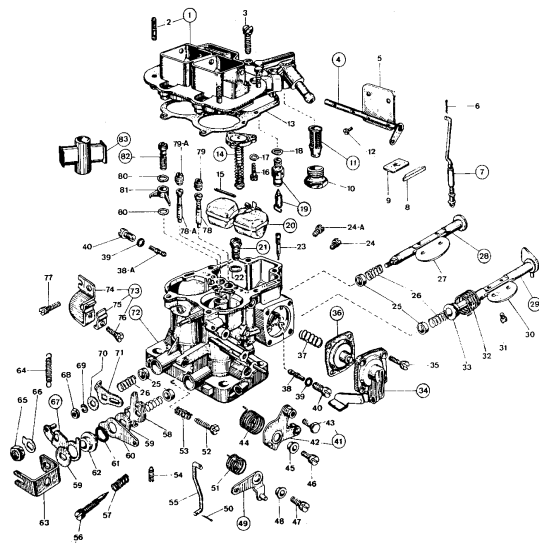


## WEBER DGV PARTS



## WEBER DGV PARTS LIST

Qty	Req'd	Description	Part Number	Qty	Req'd	Description	Part Number
1	1	Carburetor Cover Assy. Including	31716.132	44	1	Spring For Choke Lever	47610.058
2	4	-Stud Bolt	64955.002	45	1	Bushing For Choke Lever	12775.010
3	6	Carb. Cover Fixing Screw	64700.001	46	1	Choke Lever Fixing Screw	64700.012
4	1	Choke Shaft & Lever Assy.	10020.222	47	1	Square Lever Fixing Screw	64700.012
5	2	Choke Valve	64010.007	48	1	Bushing For Square Lever	12775.010
6	1	Split Pin	32610.005	49	1	Fast Idle Control Square Lever Assy.	45096.025
7	1	Choke Rod	61267.008	50	1	Split Pin	32610.005
8	1	Dust Seal Plug	61070.002	51	1	Spring For Square Lever	47610.033
9	1	Dust Seal Plate	52135.010	52	1	Primary Throttle Adjusting Screw	64025.017
10	1	Strainer Inspection Plug	61002.018	53	1	Spring For Throttle Adjusting Screw	47600.007
11	1	Strainer Assy.	37022.010	54	1	Secondary Throttle Adjusting Screw	84595.005
12	4	Choke Plates Fixing Screw	64525.003	55	1	Fast Idling Control Rod	61280.086
13	1	Carb. Cover Gasket	41705.035	56	1	Idle Adjusting Screw	64750.025
14	1	Carb. Power Valve Assy.	57604.052	57	1	Spring For Idle Adjusting Screw	47600.007
15	1	Float Fixing Pin	52000.015	58	1	Primary Throttle Control Lever	45046.020
16	3	Control Valve Retaining screw	64700.007	59	2	Washer For Loose Lever	55510.061
17	3	Washer For Control Valve Screw	55510.038	60	1	Fast Idling Loose Lever	45067.024
18	1	Needle Valve Gasket	41535.015	61	1	Washer Wave	55530.002
19	1	Needle Valve Assy.	79519*	62	1	Bushing For Loose Lever	12775.006
20	1	Float Assy.	41030.019	63	1	Spring For Loose Lever	47605.010
21	1	Full Power Needle Valve Assy.	64235.016	64	1	Throttle Shaft Fixing Nut	34715.014
22	1	Power Valve Gasket	41530.013	65	1	Lock Washer	55520.002
23	1	Pump Discharge Blanking Needle	64900.001	66	1	Loose Lever Assy.	45096.011
24	1	Primary Main Jet	73801*	67	1	Secondary Shaft Fixing Nut	34705.001
24	4	Shaft Retaining Bush	12750.085	68	1	Spring Washer	55525.001
25	4	Bush Retaining Spring	47600.027	69	1	Washer For Loose Lever	55510.046
26	1	Secondary Throttle Valve	74005.034	70	1	Secondary Throttle Control Lever	45032.124
26	1	Secondary Shaft	10015.492	71	1	Carburetor Body	Not Serviced
28	1	Secondary Shaft Assy. Oversize	10016.477	72	1	Sheath Support Assy. In/Auding	58702.024
29	1	Primary Shaft	10015.493	73	1	— Sheath Support	58700.028
29	1	Primary Shaft Assy. Oversize	10016.476	74	1	— Sheath Securing Plate	52145.001
30	1	Primary Throttle Valve	84005.090	75	1	— Sheath Plate Fixing Screw	64615.007
31	4	Throttle Plates Fixing Screw	48420.023	76	1	Sheath Support Fixing Screw	64700.012
32	1	Shaft Return Spring	47610.079	77	1	Primary Emulsifying Tube	61440.216
33	1	Spacer	12765.047	78	1	Secondary Emulsifying Tube	61440.211
34	1	Accel. Pump Cover Assy.	32486037	79	1	Primary Air Connector Jet	77201*
35	4	Pump Cover Fixing Screw	64700.006	80	2	Secondary Air Connector Jet	77201*
36	1	Accel. Pump Diaphragm Assy	47407.855	81	1	Pump Jet Gasket	41540.014
37	1	Pump Loading Spring	47600.082	82	1	Accel. Pump Jet	78226*
38	1	Primary Idle Jet	74403*	83	1	Pump Delivery Valve Assy.	64290.017
38	2	Secondary Idle Jet	74403*			Auxiliary Venturi	71111*
39	2	Gasket For Idling Jet Holder	41565.002				
40	2	Idling Jet Holder	52570.006				
41	1	Choke Control Lever Assy. Including	45202.064				
42	1	— Lever	45202.056				
43	1	— Screw Securing Wire	64615.004				