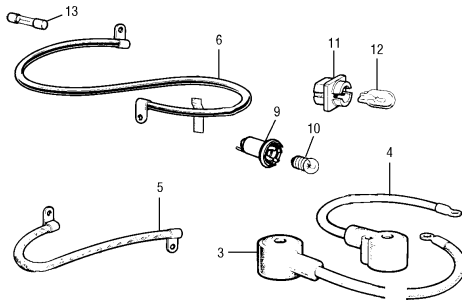


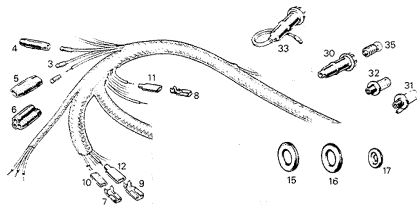
CABLES, CONNECTORS AND BULBS



CABLES, CONNECTORS AND BULBS

CABLES AND BULBS

| | | | | |
|----|----------|---|-----|---------------------|
| 3 | 5L885 | Main cable positive to solenoid | 1 | Saloon |
| 3 | 5L887 | Main cable positive to solenoid | 1 | Van/RAVELLER |
| 3 | AUJ1089 | Main cable positive to solenoid | 1 | Pre-engaged starter |
| 4 | 5L888MS | Negative to earth lead from battery | 1 | 5L924 original |
| | 248645 | Screw, cable to battery | 2 | |
| 5 | 5L1137 | Cable, body to engine earth | 1 | |
| 6 | 5L925 | Cable, solenoid to starter | 1 | |
| 7 | 14A7033 | Floor grommet/toe board | 3 | |
| 8 | RFR210 | Plug, dash panel and hole in dash | 2 | |
| 9 | AEU1313A | Bulb holder for speedo, two wires | A/R | |
| 9 | C611 | Bulb holder for speedo, one wire | A/R | |
| 10 | LLB987 | Bulb, screw-in | A/R | |
| | LLB989 | Bulb, bayonette | A/R | |
| 11 | 13H5270 | Bulb holder (plastic) | A/R | |
| 12 | GLB2132 | Bulb, push-in | A/R | |
| 13 | 188218 | Fuse, 35 amp | A/R | |



CONNECTORS

| | | | |
|----|-----------|--|-----------|
| 3 | CWB320 | Bullet, solder-on male | A/R |
| | CWB330 | Bullet for lamp sockets | A/R |
| | 850651 | Connector, one-wire gang | A/R |
| 4 | 850641 | Connector, two-wire separate gang | A/R |
| 5 | 850641 | Connector, two-wire separate gang | A/R |
| 6 | CWB300 | Connector, three-wire separate gang | A/R |
| | 850832 | Connector, 5-wire separate gang | NLA |
| 7 | CWB121 | 1/4" female double spade terminal | A/R |
| 8 | CWB123 | 1/4" female spade terminal | A/R |
| 9 | 47H5419 | 3/8" female spade terminal, 35 amp | A/R |
| 10 | 5L287 | Insulator, 1/4" double spade connector | A/R |
| 11 | 5L286 | Insulator, 1/4" spade connector | A/R |
| 12 | 54190042 | Insulator for 3/8" spade terminal | A/R |
| 30 | VPY100110 | Bulb holder, instruments | A/R |
| 31 | CAB302 | Bulb holder, instruments, with ground wire | A/R |
| | Earthclip | Ground clip, two-wire gang | Not shown |