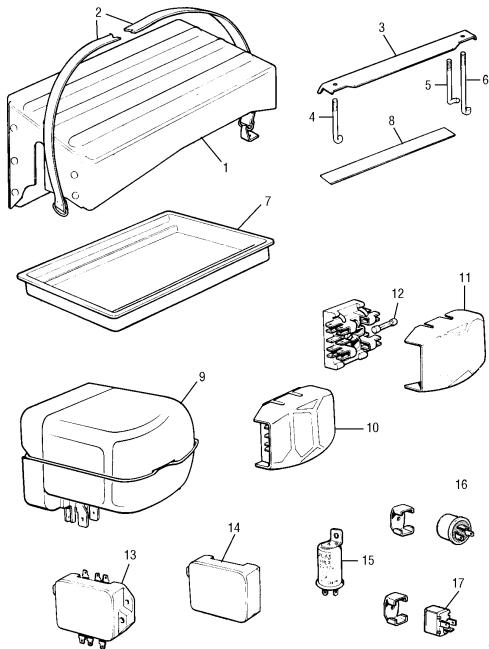


## BATTERY FIXINGS, REGULATOR, FUSE BOXES



## BATTERY FIXINGS, CONTROL/FUSE BOXES AND FLASHER UNITS

| NO. | PART NO. | DESCRIPTION              | QTY | REMARKS       |
|-----|----------|--------------------------|-----|---------------|
| 1   | 5L877    | Ribbed battery box cover | 1   |               |
| 2   | 14A7776  | Cover strap              | 1   |               |
| 3   | 14A6195  | Battery bar              | 1   | Van           |
| 3   | 34G2065  | Battery bar saloon       | 1   | Saloon        |
| 4   | 5L1158   | Rear battery bolt        | 1   | Saloon        |
| 5   | 5L1159   | Front battery bolt       | 1   | Saloon        |
| 6   | 24A134   | Battery bolt long        | 2   | NLA Van       |
| 7   | 14A7286  | Battery tray             | 1   | NLA Van       |
| 8   | 37H3743M | Packing for battery box  | A/R | NLA           |
| 9   | GEU603   | Control box              | 1   | Mini          |
| 10  | 60G253A  | Fuse box                 | 1   |               |
| 11  | 54380114 | Fuse cover               | 1   |               |
| 12  | GF315    | 15 amp fuse              | A/R |               |
| 12  | GF325    | 25 amp fuse              | A/R |               |
| 12  | 188218   | 35 amp fuse              | A/R |               |
| 13  | AAU1839  | Fuse box                 | 1   | 1976 on       |
| 14  | 518995A  | Cover for RTC440A        | 1   |               |
| 15  | GFU2103  | Flasher unit             | 1   |               |
| 16  | GFU2124  | Flasher unit             | 1   | No hazard     |
| 16  | GFU2125  | Flasher unit             | 1   | Hazard        |
| 17  | GFU2204  | Hazard warning unit      | 1   |               |
| 17  | GFU2208  | Flasher unit             | 1   | Fuel injected |

10