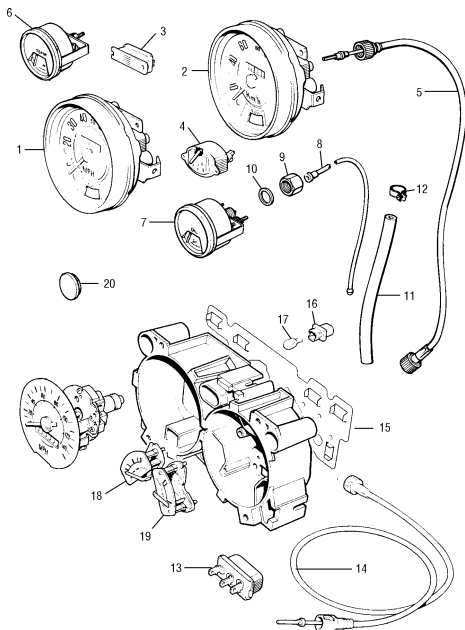


SPEEDOMETERS, GAUGES AND CABLES



SPEEDOS, GAUGES AND CABLES

NO.	PART NO.	DESCRIPTION	QTY	REMARKS
1	ADU2341	Speedo MPH, 90MPH	1	3.4 Final drive
1	ADU2345	Speedo MPH, 90MPH	1	3.76 Final drive
1	13H4442	'S' Speedo SH4421/130 MPH	1	'S' MK3
2	13H4444	'S' Speedo SH4421/200 KPH	1	'S' MK3
2	ADU2343	Speedo KPH, 40KPH	1	3.4 Final drive
3	C3470A	Voltage stabiliser BR1310/00	1	
3	13H3554	Voltage stabiliser BR1309/00	1	MK1
4	13H2133	Fuel gauge black	1	
5	0722/26	Speedo cable 26" long, standard for center binnacle	1	
5	0722/30	Speedo cable, 30" long	1	
5	0722/36	Speedo cable, 36" long	1	
5	0722/39	Speedo cable 39" long	1	Moke
6	13H4460	Water temperature gauge	1	
7	13H4459	Oil pressure gauge	1	
8	21A804	Oil pipe gauge to hose	1	
9	11B2037	Nut, part of 21A804 pipe	1	
10	2K4936B	Sealing washer	1	
11	FAM2807	Oil hose	1	
	C-AH18	Braided oil pressure hose, complete	1	
11	OL	Oil gauge one piece plastic hose	1	5ft long
12	AAU1818	Oil hose clip	2	

CLUBMAN AND ALL SALOONS AFTER 1980 (SMITHS ONLY, NOT NIPPON SEIKI TYPE)

13	BMK1539A	Voltage stabiliser BR1303/20	1	Clubman/late Mini
14	GSD102MS	Speedo cable	1	
14	GSD415	Speedo cable	1	35.5" long
15	37H4881	Printed circuit	1	2 clock pod
15	BAU1930	Printed circuit 1275GT	1	3 clock pod
16	13H5270	Bulb holder, plastic	A/R	
17	GLB2132	Bulb	A/R	
18	13H5893	Fuel gauge to 1983	1	NLA
18	ADU6455	Fuel gauge (3 clock)	1	1983-85
18	BAU5405	Fuel gauge	1	1985 on
19	13H5894	Temperature gauge to 1983	1	NLA
19	ADU6456	Temperature gauge (3 clock)	1	1983-5
19	BAU5406	Temperature gauge	1	1985 on
20	14A7081	Plug for unused speedo hole	1	All Minis

There were multiple changes on Smiths speedo and tachometer clocks on Clubman type in front of steering wheel. Nearly all the Smiths type 1970 to 1983 are no longer available and therefore not listed.