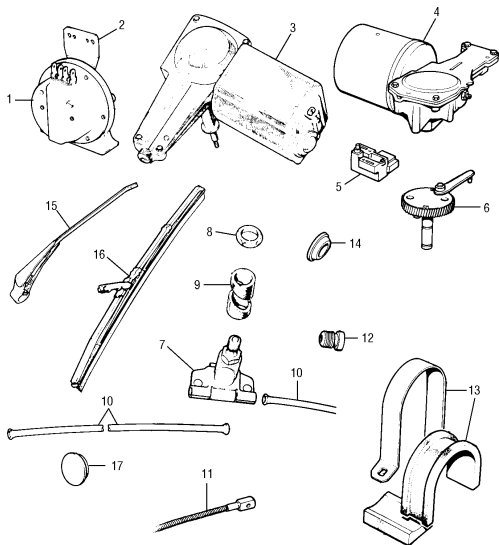


Horn and Windscreen Wipers



HORN AND WINDSCREEN WIPER

| NO. | PART NO. | DESCRIPTION | QTY | REMARKS |
|-----|------------|--|-----|-----------------------|
| 1 | GGE102 | Hightone horn single terminal | 1 | |
| 1 | TR89 | Hightone horn twin terminal | 1 | |
| 1 | TR28 | Lowtone horn twin terminal | 1 | |
| 2 | GGE113 | Horn bracket | 1 | |
| 3 | GEU7714 | Wiper motor 3 wire, square body, one speed | 1 | does not include gear |
| 3 | GEU7708 | Wiper motor 4 wire, strap fitting, two speed | 1 | does not include gear |
| 4 | WK8105 | Brush kit | 1 | |
| 5 | 520160A | Parking switch | 1 | |
| 6 | GW8132 | Gear (120°) 46 teeth | 1 | NLA |
| 6 | 606092A | Gear (110°) 46 teeth | 1 | Van and pickup Saloon |
| 7 | 37H6100 | Wiper wheelbox (22 teeth) | 2 | 6 sided nut |
| 7 | 37H7200 | Wiper wheelbox (32 teeth) | 2 | 8 sided nut |
| 8 | 37H6042 | Wiper spindle bush kit | 2 | Fits 37H6100 |
| 8 | 37H6042C | Wiper bush kit, chrome, including nut & seal | 1 | Fits 37H6100 |
| 8 | 37H7201C | Wiper bush kit, chrome, including 8 sided nut & seal | 1 | Fits 37H7200 |
| 9 | 37H6316 | Wiper wheelbox nut | 2 | 6 sided |
| 9 | 37H7738 | Wiper wheelbox nut | 2 | 8 sided |
| 10 | AAU1909A | Wiper rack outer tube kit | 1 | |
| 11 | 508182A | Wiper rack cable | 1 | |
| 12 | 37H3694 | Ferrule in wiper motor to accept AAU1909A | 1 | |
| 13 | 37H4836 | Strap and seal for motor | 1 | |
| 14 | 14A7091 | Grommet for wheelbox hole | 2 | |
| 15 | 13H5626 | Wiper arm s/steel R/H/D MK1/2, (right hand park) | 2 | Also L/H/D MK3 |
| 15 | 13H5629 | Wiper arm s/steel R/H/D MK3, (left hand park) | 2 | |
| 15 | C2H4173 | Black wiper arm for 11" blade, (right hand park) | 2 | |
| 15 | C2H4331 | Black wiper arm for 11" blade, (left hand park) | 2 | |
| 15 | DK810058 | Wiper arm with hook fitting R/H/D | 2 | 1990 on |
| 15 | DK810059 | Wiper arm with hook fitting L/H/D | 2 | 1990 on |
| 16 | GW8219 | 10" chrome wiper blade | 2 | |
| 16 | BOSCH40910 | 10" black wiper blade | 2 | |
| 16 | GW8811 | 11" black wiper blade | 2 | |
| 16 | GW8341 | Wiper blade with hook fitting | 2 | 1990 on |
| 17 | C2G778 | Plug for wiper motor hole in dash | 1 | |

MK1 used 130° wiper gear until 1964 then reduced to 120°.

57H5586 130° NLA
37H7296 120° NLA